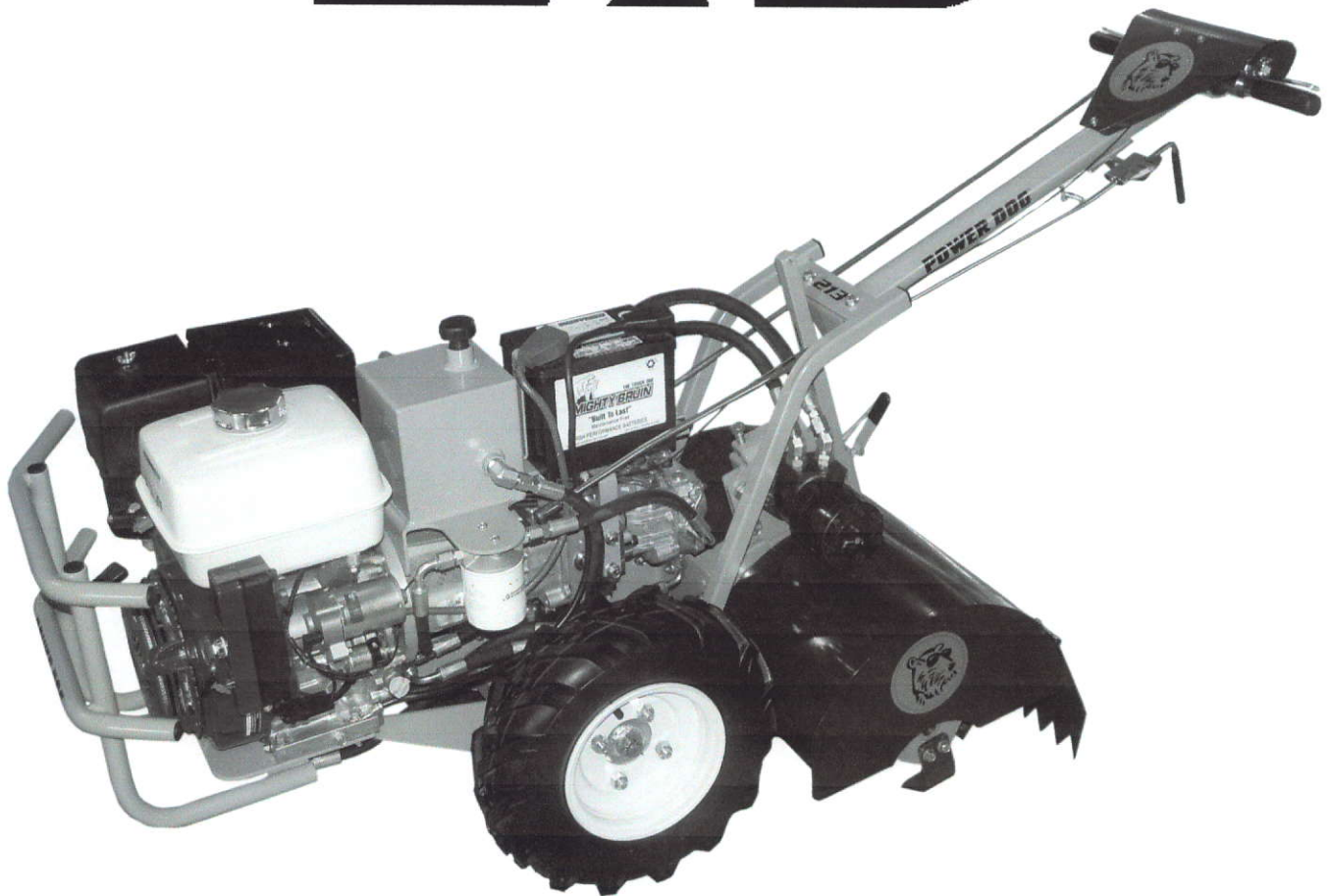


# ***Power Dog***™ **Parts Breakdown**

Commercial/Industrial Products

# ***213***

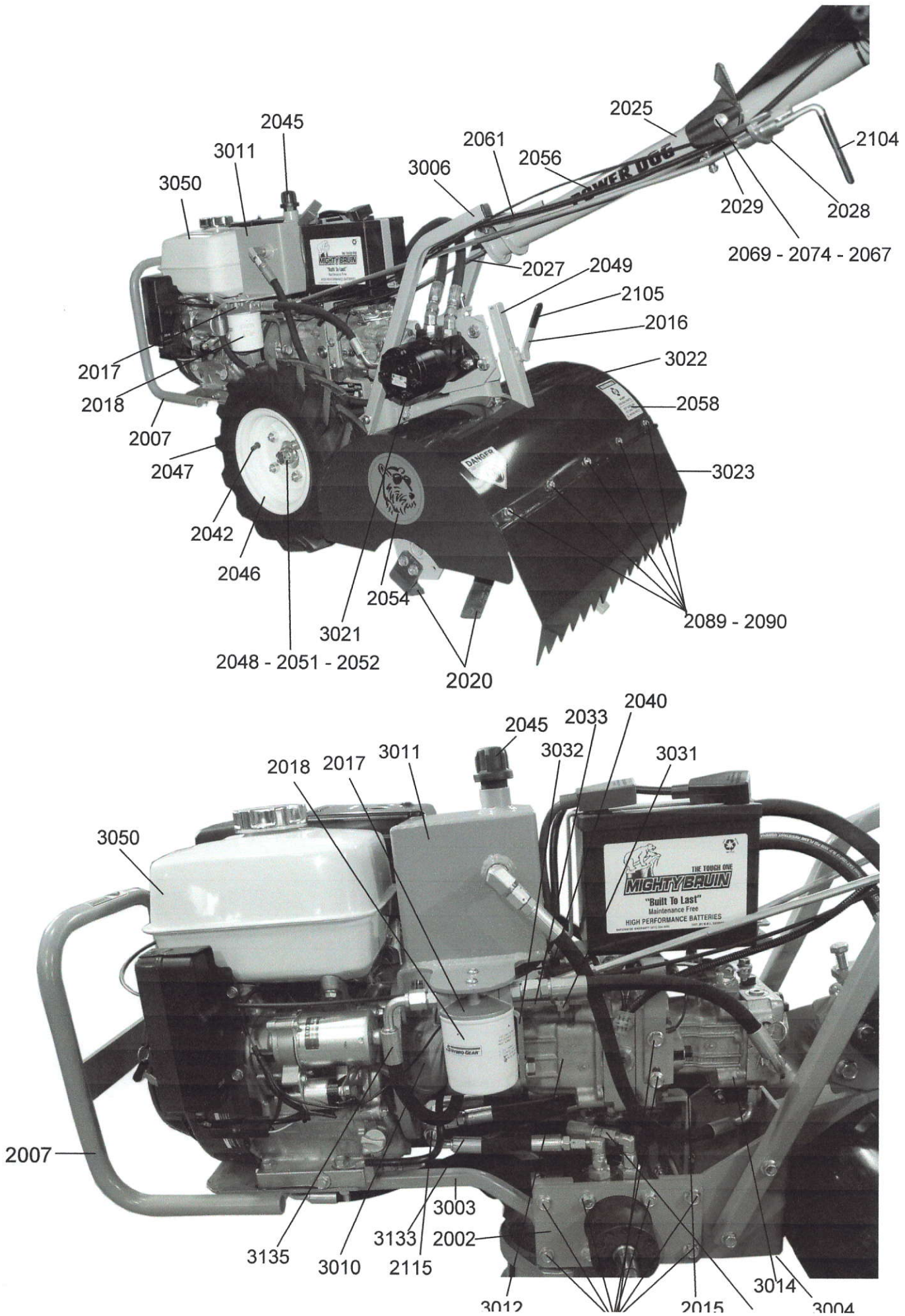


**KUHNS POWER EQUIPMENT, LLC**

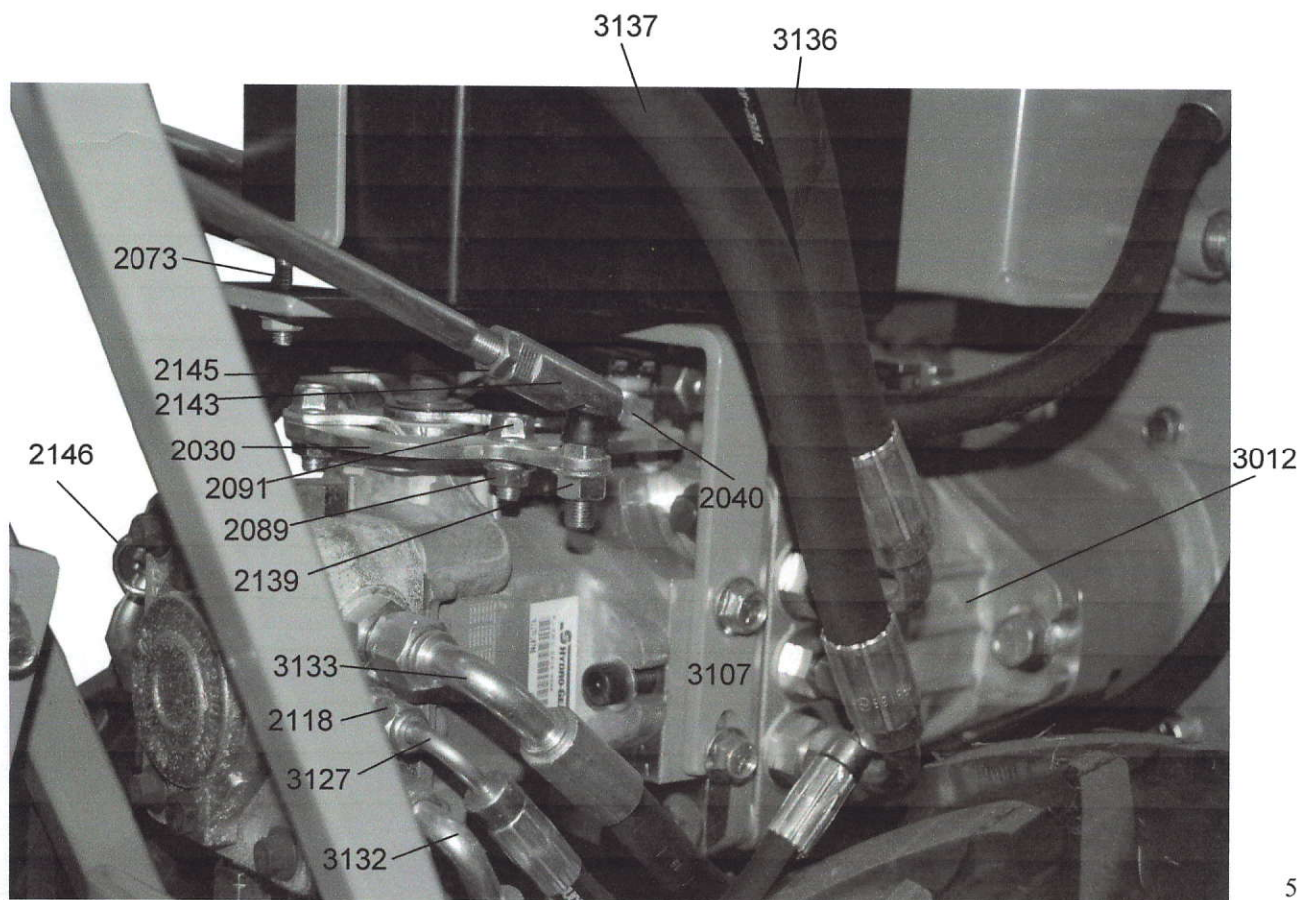
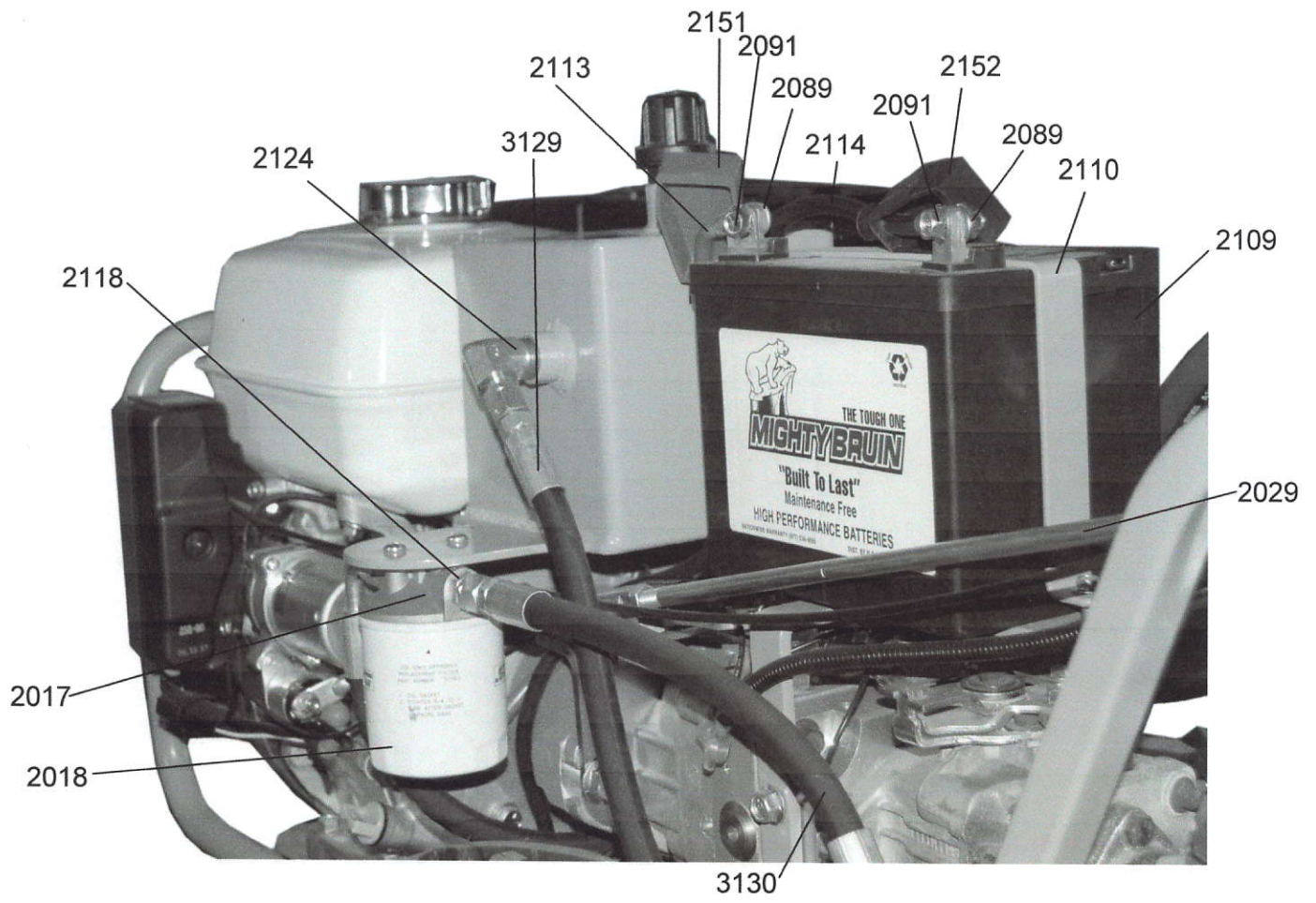
10101 Shively Road, (C.R. 46) - Nappanee, IN 46550

Ph. 574-862-4592 / 1-866-505-8085

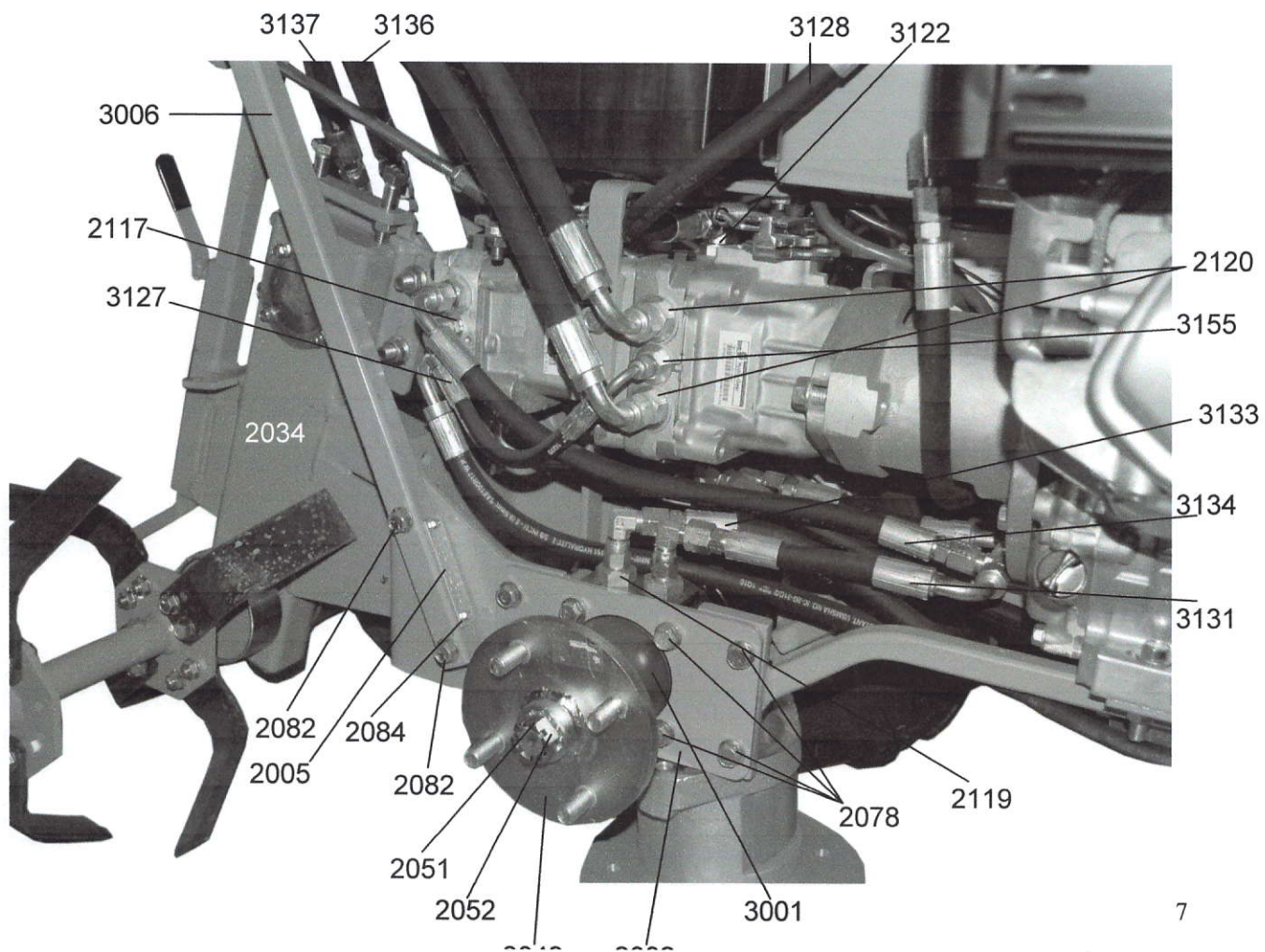
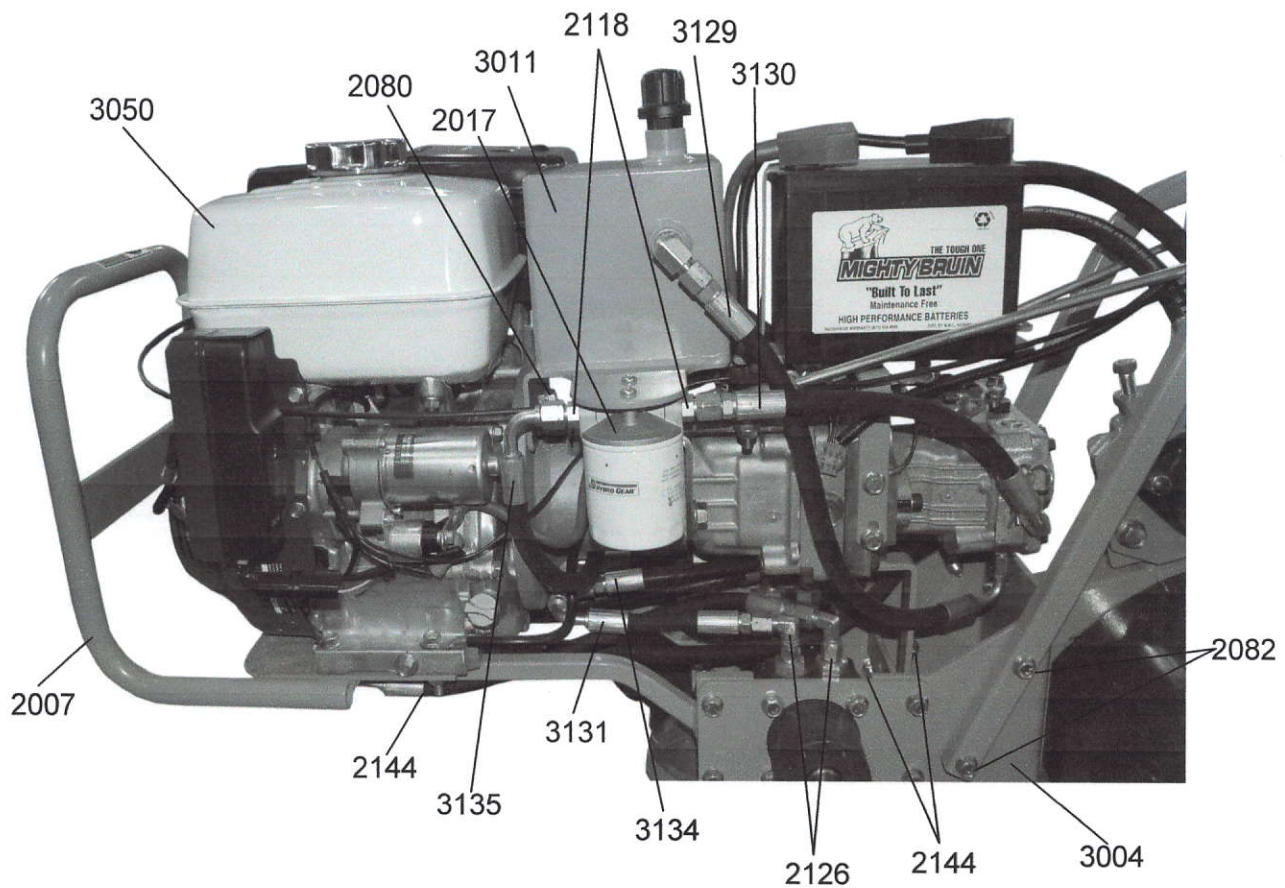
<u>PART #</u>	<u>DESCRIPTION</u>
KP2002	plate, wheel motor
KP2007	bumper, front
KP2015	bracket, pump
KP2016	tightner, depth bar
KP2017	head, filter
KP2018	filter
KP2020	tine
KP2025	handle
KP2027	rod, drive control
KP2028	bracket, tine control
KP2029	rod, tiller control
KP2033	bracket, safety flat
KP2040	switch, neutral (white)
KP2042	valve stem
KP2045	cap, breather
KP2046	rim, 8 x 3.75
KP2047	tire, 480 x 8, 4 ply
KP2048	hub
KP2049	depth bar
KP2051	cotter pin
KP2052	nut, wheel
KP2054	decal, round logo
KP2056	decal, power dog
KP2058	decal, warning
KP2061	wire harness
KP2067	nut, 1/4" nylock
KP2069	washer, 1/4"
KP2074	bolt, 1/4 x 3 1/4", carriage
KP2078	bolt, 3/8 x 1" fl
KP2089	nut, 5/26", fl
KP2090	bolt, 5/16" x 1/2" fl
KP2104	grip, 3/8"
KP2105	sleeve, rubber, 1/8 x 3/4"
KP2115	fitting, 2603-6-6-6
KP2144	nut, 3/8" fl
KP3003	bracket, front
KP3004	bracket, rear
KP3006	bracket, handle
KP3010	mount, pump
KP3011	tank, reservoir
KP3012	pump, large
KP3014	pump, small
KP3021	motor, tine
KP3022	cover, tine
KP3023	flat, tine
KP3031	bracket, neutral control
KP3032	bracket, safety L
KP3050	engine, Honda M.GX390
KP3131	hose, 3/8 x 8" wheel motor
KP3133	hose, 3/8 x 18" wheel motor
KP3135	hose, 3/8 x 21.75" supply



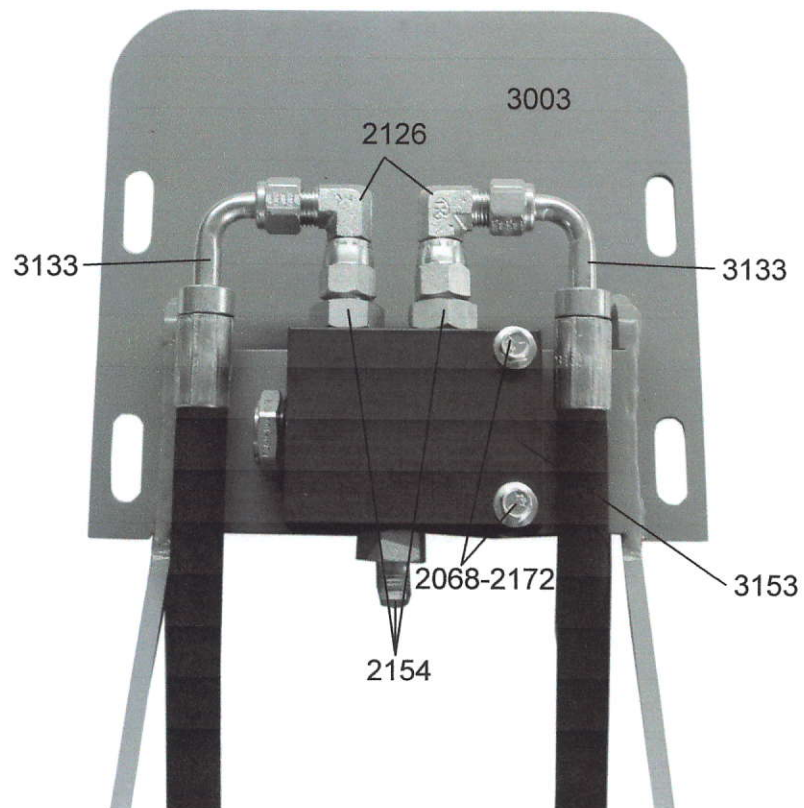
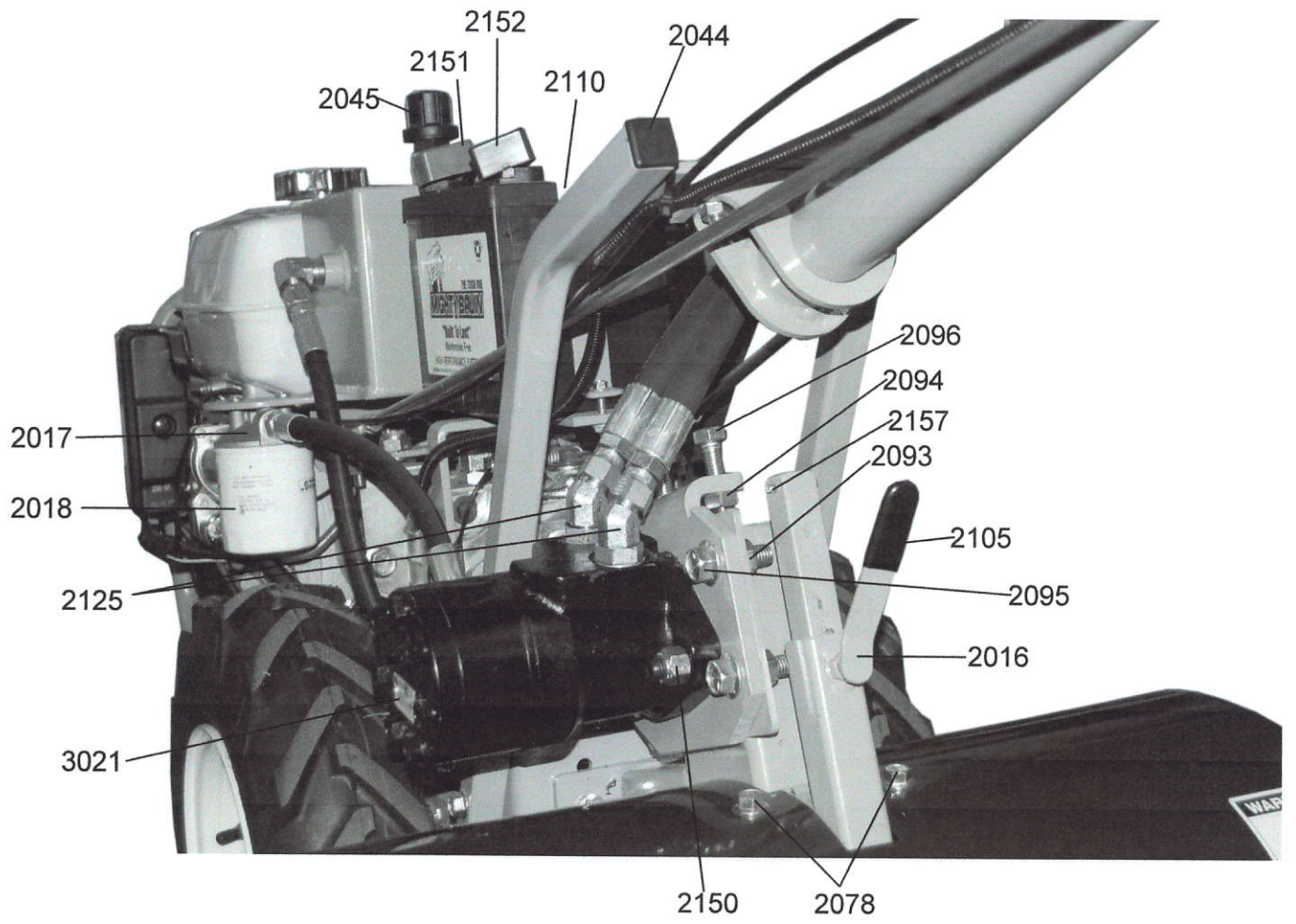
<u>PART #</u>	<u>DESCRIPTION</u>
KP2017	head, filter
KP2018	filter
KP2029	rod, tiller control
KP2030	plate, reverse safety
KP2040	switch, neutral (white)
KP2073	bolt, 1/4 x 1 1/4 fl
KP2089	nut, 5/26", fl
KP2091	bolt, 5/16 x 3/4" fl
KP2109	battery, U1L-400
KP2110	hold down, battery
KP2113	cable, red
KP2114	cable, black
KP2118	fitting, 6400-6-6
KP2124	fitting - 2501-6-8
KP2139	nut, 3/8 - 24 fl
KP2143	ball joint 3/8 - 24
KP2145	nut, 3/8 - 24 jam
KP2146	bridge pin, #4
KP2151	boot (red)
KP2152	boot, (black)
KP3012	pump, large
KP3107	bracket, battery
KP3127	hose, 1/4" connecting
KP3129	hose, 3/8 x 20" return hose
KP3130	hose, 3/8 x 13.75" suction
KP3132	hose, 3/8 x 22.5" small pump
KP3133	hose, 3/8 x 18" wheel motor hose (rearport)
KP3135	hose, 3/8 x 18" small pump
KP3136	hose, 1/2 x 23.75" tine motor (front port)
KP3137	hose, 1/2 x 25.75" tine motor (back port)



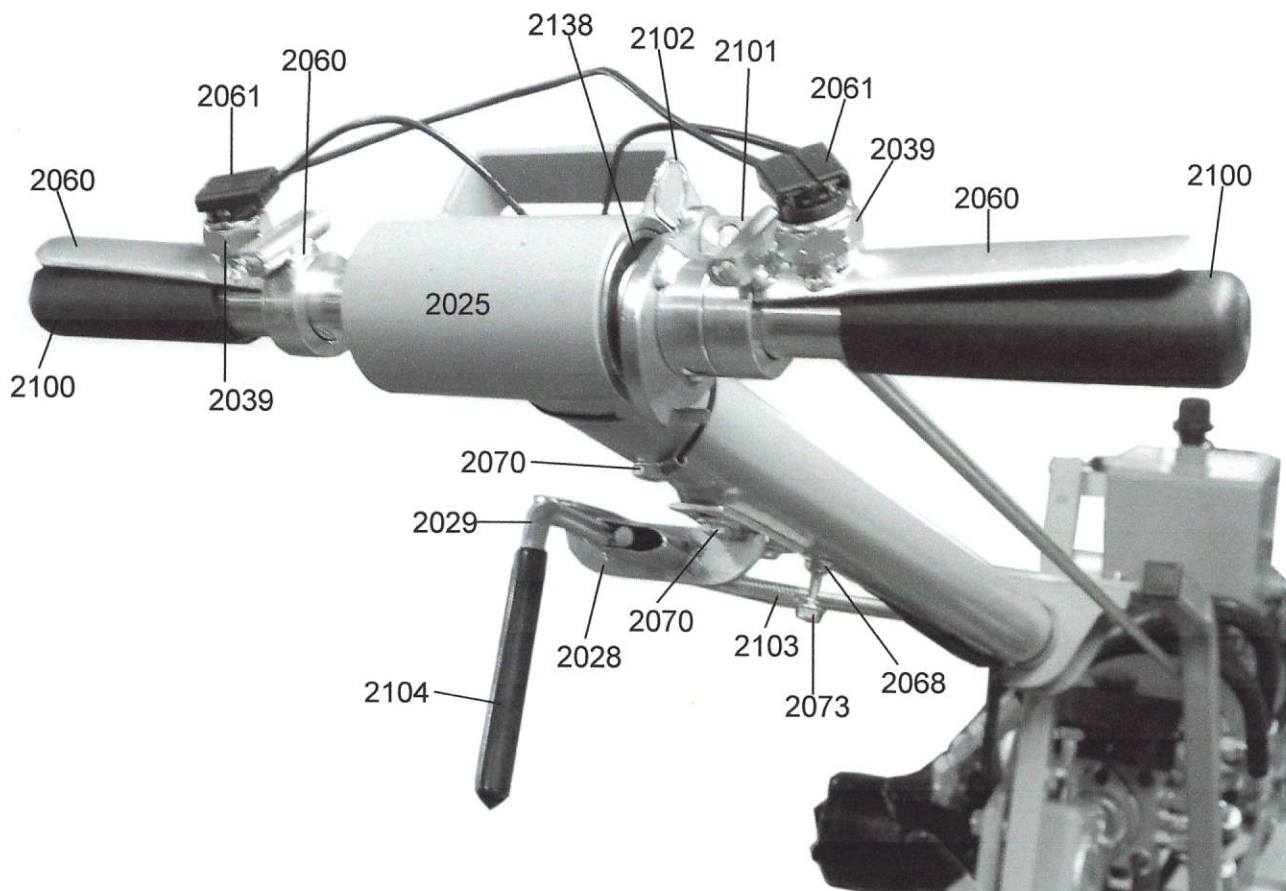
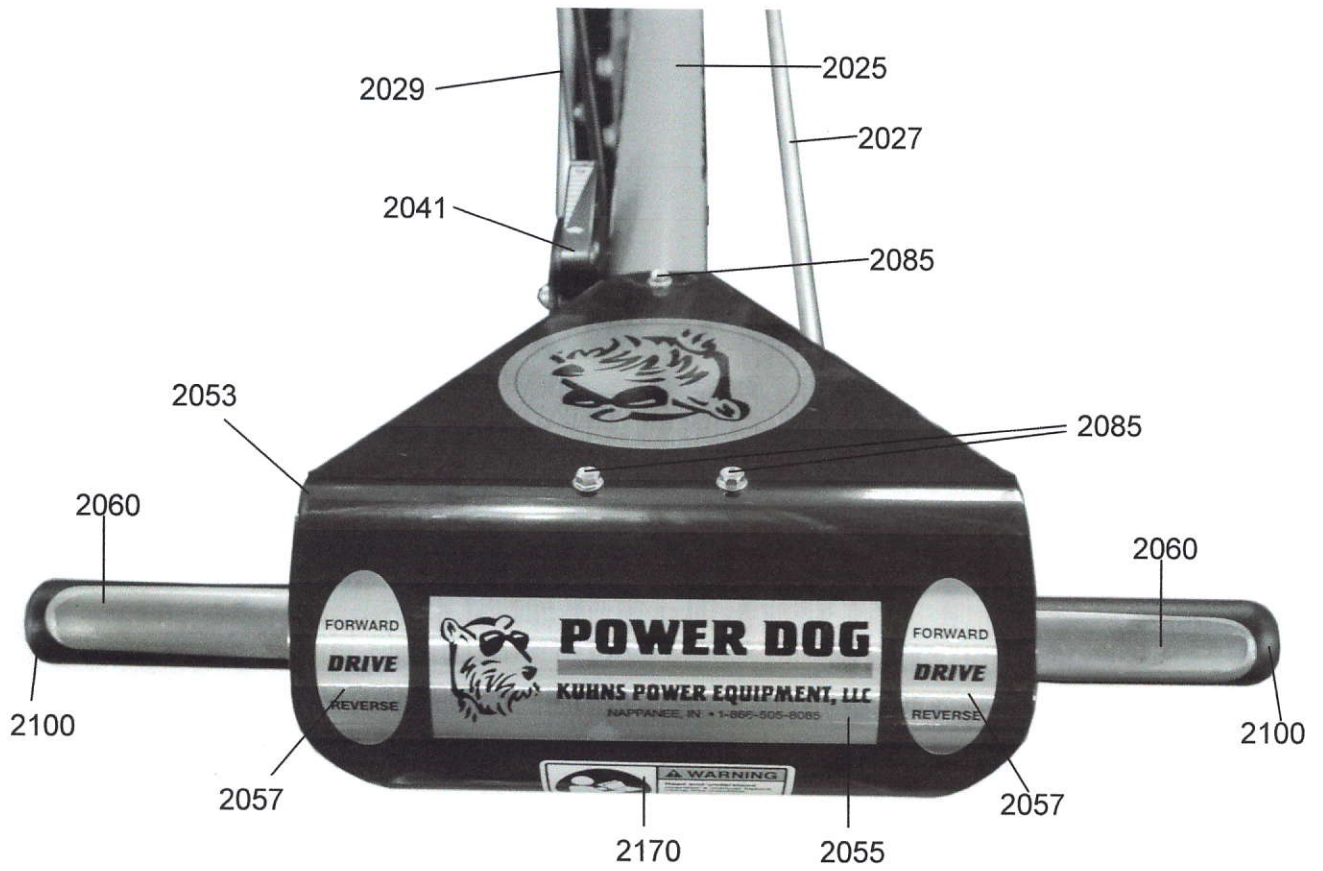
<b><u>PART #</u></b>	<b><u>DESCRIPTION</u></b>
KP2002	plate, wheel motor
KP2005	# tag 1/8 x 3/4 x 3" alum.
KP2007	bumper, front
KP2017	head, filter
KP2018	filter
KP2034	tine, weldment
KP2048	hub
KP2051	cotterpin
KP2052	nut, wheel
KP2078	bolt, 3/8 x 1" fl
KP2080	bolt, 3/8 x 1 1/4" fl
KP2082	bolt, 3/8 x 1 3/4" fl
KP2084	self taper, #6 x 3/4"
KP2117	fitting, 6400-4-4
KP2118	fitting, 6400-6-6
KP2119	fitting, 6400-6-10
KP2120	fitting, 6400-8-8
KP2126	fitting, 6500-6-6
KP2144	nut, 3/8" fl
KP3001	motor, wheel
KP3004	bracket, rear
KP3006	bracket, handle
KP3011	tank, reservoir
KP3050	engine, Honda M.GX390
KP3122	fitting, 6801-6-8
KP3127	hose, 1/4" connecting
KP3128	hose, 3/8 x 14.50" return
KP3129	hose, 3/8 x 20" return hose
KP3130	hose, 3/8 x 13.75" suction
KP3131	hose, 3/8 x 8" wheel motor
KP3132	hose, 3/8 x 22.50" small pump
KP3133	hose, 3/8 x 18" wheel motor
KP3134	hose, 3/8 x 18" small pump
KP3135	hose, 3/8 x 21.75" supply
KP3136	hose, 1/2 x 23.75" tine motor (front port)
KP3137	hose, 1/2 x 25.75" tine motor (back port)
KP3155	fitting, 6400-4-6



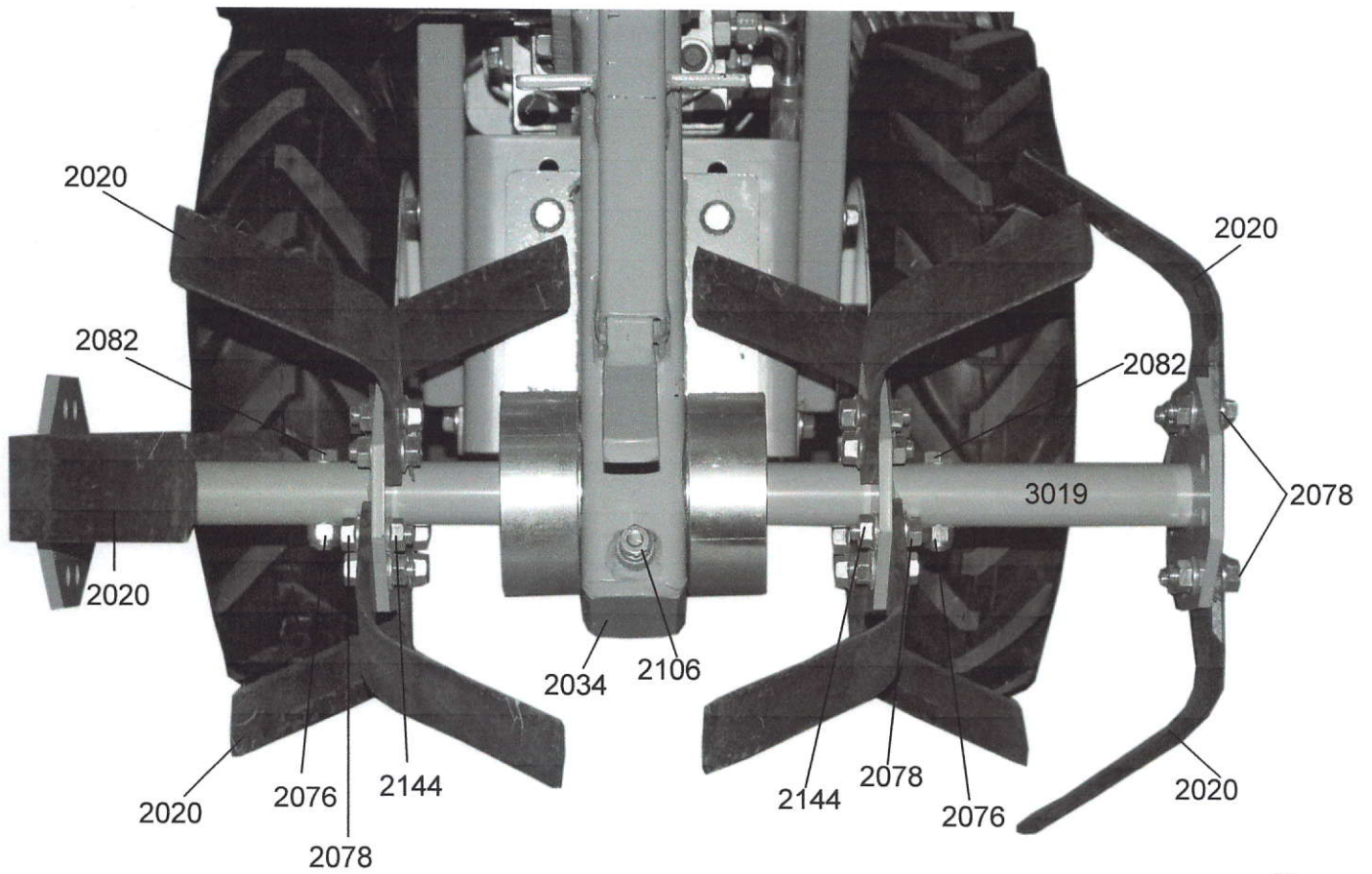
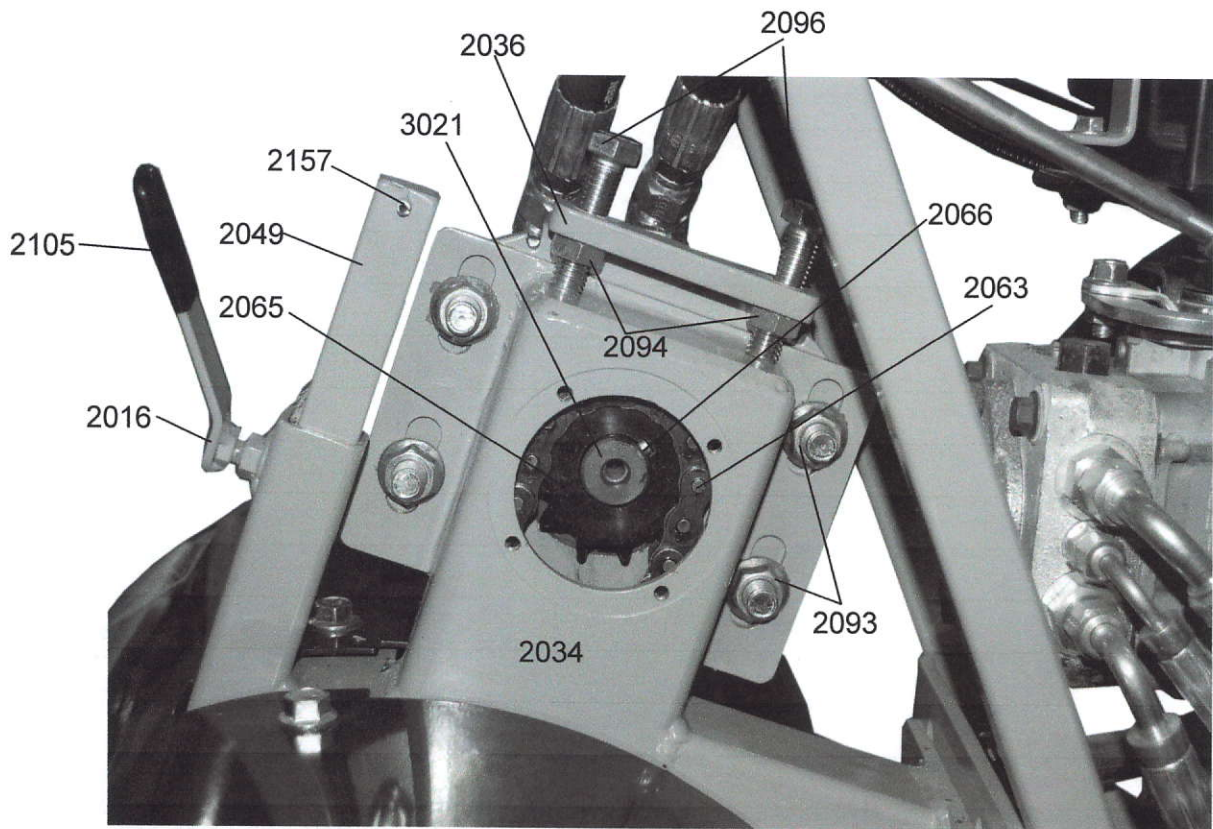
<b><u>PART #</u></b>	<b><u>DESCRIPTION</u></b>
KP2016	tightner, depth bar
KP2017	head, filter
KP2018	filter
KP2044	plug, 1" square
KP2045	cap, breather
KP2068	nut, 1/4" fl
KP2078	bolt, 3/8" x 1" fl
KP2093	nut, 1/2" fl
KP2094	nut, 1/2" jam
KP2095	bolt, 1/2 x 1 1/2" fl
KP2096	bolt, 1/2 x 2" full thread
KP2105	sleeve, rubber, 1/8 x 3/4"
KP2110	hold down, battery
KP2125	fitting, 6802-8-10
KP2126	fitting, 6500-6-6
KP2144	nut, 3/8" fl
KP2150	nut, 1/2" nylock
KP2151	boot (red)
KP2152	boot (black)
KP2154	fitting, 6400-6-8
KP2157	roll pin
KP2172	bolt, 1/4 x 1 3/4" fl
KP3003	bracket, front
KP3021	motor, tine
KP3133	hose, 3/8 x 18" wheel motor
KP3153	flow divider



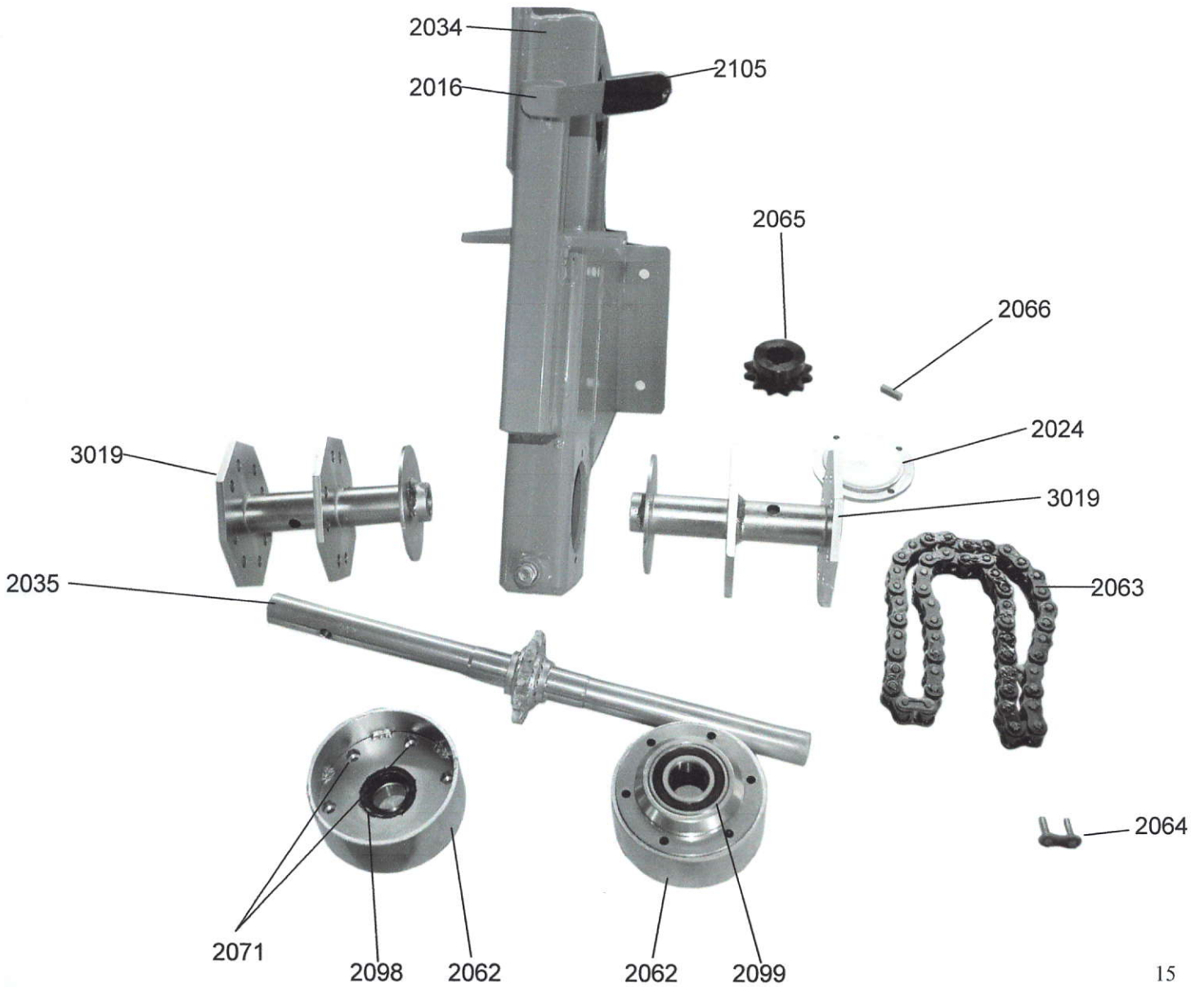
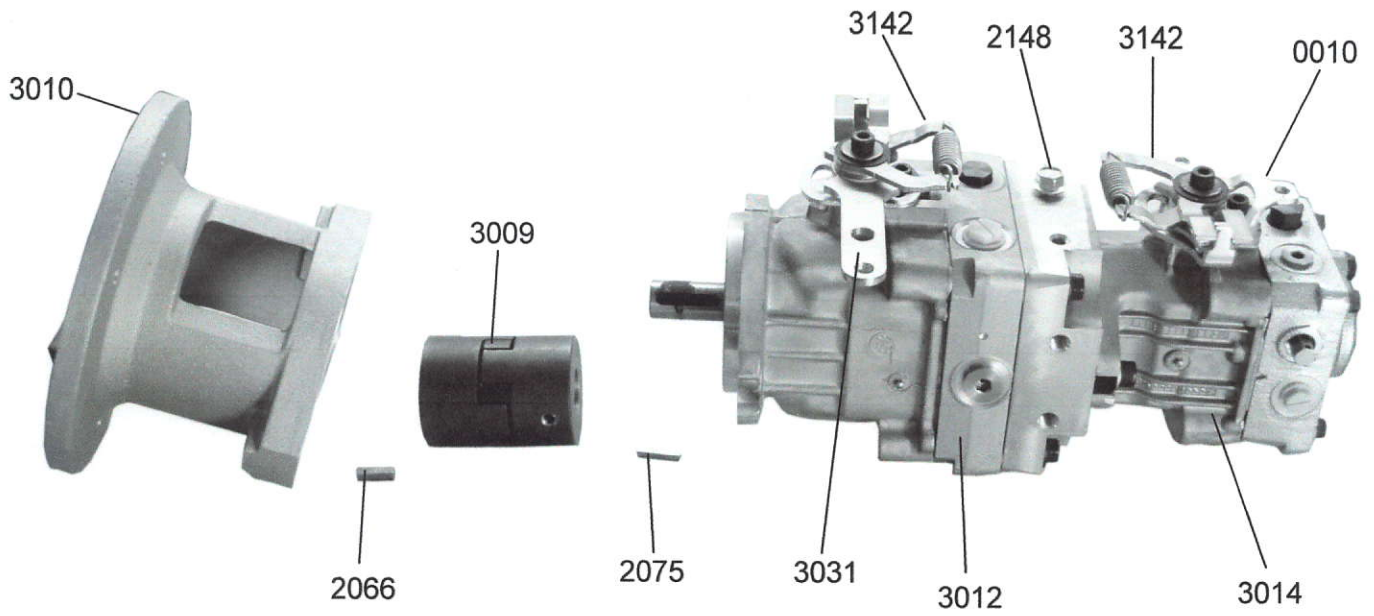
<b><u>PART #</u></b>	<b><u>DESCRIPTION</u></b>
KP2025	handle
KP2026	handle bar
KP2027	rod, drive control
KP2028	bracket, tine control
KP2029	rod, tiller control
KP2039	switch, safety (black)
KP2041	throttle control
KP2053	cover, handle bar
KP2054	decal, round logo
KP2055	decal, info.
KP2057	decal, forward/reverse
KP2059	collar, drive
KP2060	paddle, safety
KP2061	wire harness
KP2068	nut, 1/4" fl
KP2069	washer, 1/4"
KP2070	bolt, 1/4 x 1/2 pn hd
KP2073	bolt, 1/4 x 1 1/4" fl
KP2085	self taper, #12 x 3/4"
KP2100	grip, 7/8"
KP2101	block, swivel 3/8 - 16
KP2102	bridge pin #3
KP2103	spring
KP2104	grip, 3/8"
KP2138	bearing, handle bar
KP2170	decal, manual warning



<b><u>PART #</u></b>	<b><u>DESCRIPTION</u></b>
KP2016	tightner, depth bar
KP2020	tine
KP2034	weldment, tine
KP2036	bracket, motor mount
KP2049	depth bar
KP2062	holder, bearing
KP2063	chain, #50
KP2065	sprocket, 50 x 12t-1" bore
KP2066	key, 1/4"
KP2076	nut, 3/8" nylock
KP2078	bolt, 3/8 x 1" fl
KP2082	bolt, 3/8" x 1 3/4" fl
KP2093	nut, 1/2" fl
KP2094	nut, 1/2" jam
KP2096	bolt, 1/2 x 2" full thread
KP2105	sleeve, rubber 1/8 x 3/4"
KP2106	plug, 1/4" pipe
KP2144	nut, 3/8" fl
KP2157	roll pin
KP3006	bracket, handle
KP3019	bracket, tine
KP3021	motor, tine



<b><u>PART #</u></b>	<b><u>DESCRIPTION</u></b>
KP2016	tightner, depth bar
KP2024	plate, cover
KP2034	weldment, tine
KP2035	tine shaft w/sprocket
KP2062	holder, bearing
KP2063	chain, #50
KP2064	connecting link
KP2065	sprocket, 50 x 12t-1" bore
KP2066	key, 1/4"
KP2071	bolt, 1/4 x 5/8 soc. hd.
KP2075	key, 3/16"
KP2078	bolt, 3/8 x 1" fl
KP2082	bolt, 3/8 x 1 3/4" fl
KP2098	seal, oil
KP2099	bearing, tine shaft
KP2105	sleeve, rubber 1/8 x 3/4"
KP2106	plug, 1/4" pipe
KP2148	bolt, 3/8 x 3/4" HHCS
KP3009	coupler, love/joy
KP3010	mount, pump
KP3012	pump, large
KP3013	kit, pump assembly
KP3014	pump, small
KP3019	bracket, tine
KP3031	bracket, neutral control
KP3142	return to neutral



# Power Dog™ WARRANTY STATEMENT

## SECTION 1: LIMITED WARRANTY

Kuhn's Power Equipment, LLC, warrants Power Dog product to the original purchaser to be free from defects in material and workmanship from the date of purchase for the "Warranty Period" of the product as set forth below:

**Batteries:** 1 year prorated limited warranty with 100% replacement during the first 6 months.

**Power Dog Safety Apparel** carries a 6 month warranty from the date of the customer's original purchase for defects in material and workmanship. Normal wear, tear or abuse is not covered under warranty. Product must be returned to Nap-panee with a warranty claim form. All care and maintenance instructions must be followed as stated by the manufacturer on the care label.

## SECTION 2: KUHN'S POWER EQUIPMENT LLC OBLIGATIONS UNDER THE WARRANTY

Kuhn's Power Equipment will repair or replace defective components without charge for parts or labor if a component fails because of a defect in material or workmanship during the warranty period.

## SECTION 3: ITEMS NOT COVERED BY THIS WARRANTY

The following items are not covered by this warranty:

- (1) Normal customer maintenance items which become worn through normal regular use, including, but not limited to, belts, blades, blade adapters, bulbs, clutches, clutch drums, filters, guide bars, lubricants, rewind springs, spark plugs, starter ropes and tines;
- (2) Natural discoloration of material due to ultraviolet light;
- (3) Engine and drive systems not manufactured by Kuhns Power Equipment LLC; these items are covered by the respective manufacturer's warranty as provided in writing with the product information supplied at the time of purchase; all claims must be sent to the appropriate manufacturer;
- (4) Lawn and garden attachments are covered by a third party which gives a warranty, all claims for warranty should be sent to the manufacturer;
- (5) Emission Control System components necessary to comply with CARB-TIER II and EPA regulations which are manufactured by third party engine manufacturer.

## SECTION 4: EXCEPTIONS AND LIMITATIONS

This warranty shall be inapplicable to defects resulting from the following:

- (1) Accident, abuse, misuse, negligence and neglect, including stale fuel, dirt, abrasives, moisture, rust, corrosion, or any adverse reaction due to incorrect storage or use habits;
- (2) Failure to operate or maintain the unit in accordance with the Owner's/Operator's manual or instruction sheet furnished by Kuhns Power Equipment LLC;

- (3) Alterations or modifications that change the intended use of the product or affects the product's performance, operation, safety, or durability, or causes the product to fail to comply with any applicable laws; or
- (4) Additional damage to parts or components due to continued use occurring after any of the above.

**REPAIR OR REPLACEMENT AS PROVIDED UNDER THIS WARRANTY IS THE EXCLUSIVE REMEDY OF THE PURCHASER. KUHN'S POWER EQUIPMENT LLC SHALL NOT BE LIABLE FOR ANY INCIDENTAL OR CONSEQUENTIAL DAMAGES FOR BREACH OF ANY EXPRESS OR IMPLIED WARRANTY ON THESE PRODUCTS EXCEPT TO THE EXTENT PROHIBITED BY APPLICABLE LAW. ANY IMPLIED WARRANTY OF MERCHANTABILITY OR FITNESS FOR A PARTICULAR PURPOSE ON THESE PRODUCTS IS LIMITED IN DURATION TO THE WARRANTY PERIOD AS DEFINED IN THE LIMITED WARRANTY STATEMENT. KUHN'S POWER EQUIPMENT LLC RESERVES THE RIGHT TO CHANGE OR IMPROVE THE DESIGN OF THE PRODUCT WITHOUT NOTICE, AND DOES NOT ASSUME OBLIGATION TO UPDATE PREVIOUSLY MANUFACTURED PRODUCTS.**

Some states do not allow the exclusion of incidental or consequential damages, or limitations on how long an implied warranty lasts, so the above limitations or exclusions may not apply to you. This warranty gives you specific legal rights, and you may also have other rights which vary from state to state.

## SECTION 5: CUSTOMER RESPONSIBILITIES

The product must exhibit reasonable care, maintenance, operation, storage and general upkeep as written in the maintenance section of the Owner's/Operator's manual. Should an operational problem or failure occur, the product should not be used, but delivered as is to an authorized Power Dog retailer for evaluation. Proof of purchase, as explained in section 6, rests soles with the customer.

## SECTION 6: PROCEDURE TO OBTAIN WARRANTY CONSIDERATION

It is the Owner's and Retailer's responsibility to make certain that the Warranty Registration Card is properly filled out and mailed to Kuhns Power Equipment LLC. This card should be mailed within ten (10) days from the date of purchase in order to confirm the warranty and to facilitate post-sales service.

Proof of purchase must be presented to the authorized Power Dog retailer in order to obtain warranty service. This proof must include date purchased, model number, serial number, and complete name and address of the selling retailer.

To obtain the benefit of this warranty, the product believed to be defective must be delivered to an authorized Power Dog retailer in a timely manner, no later than thirty (30) days from date of the operational problem or failure. The product must be delivered at the owner's expense. Downtime, pick-up and delivery charges are not covered by this warranty.