

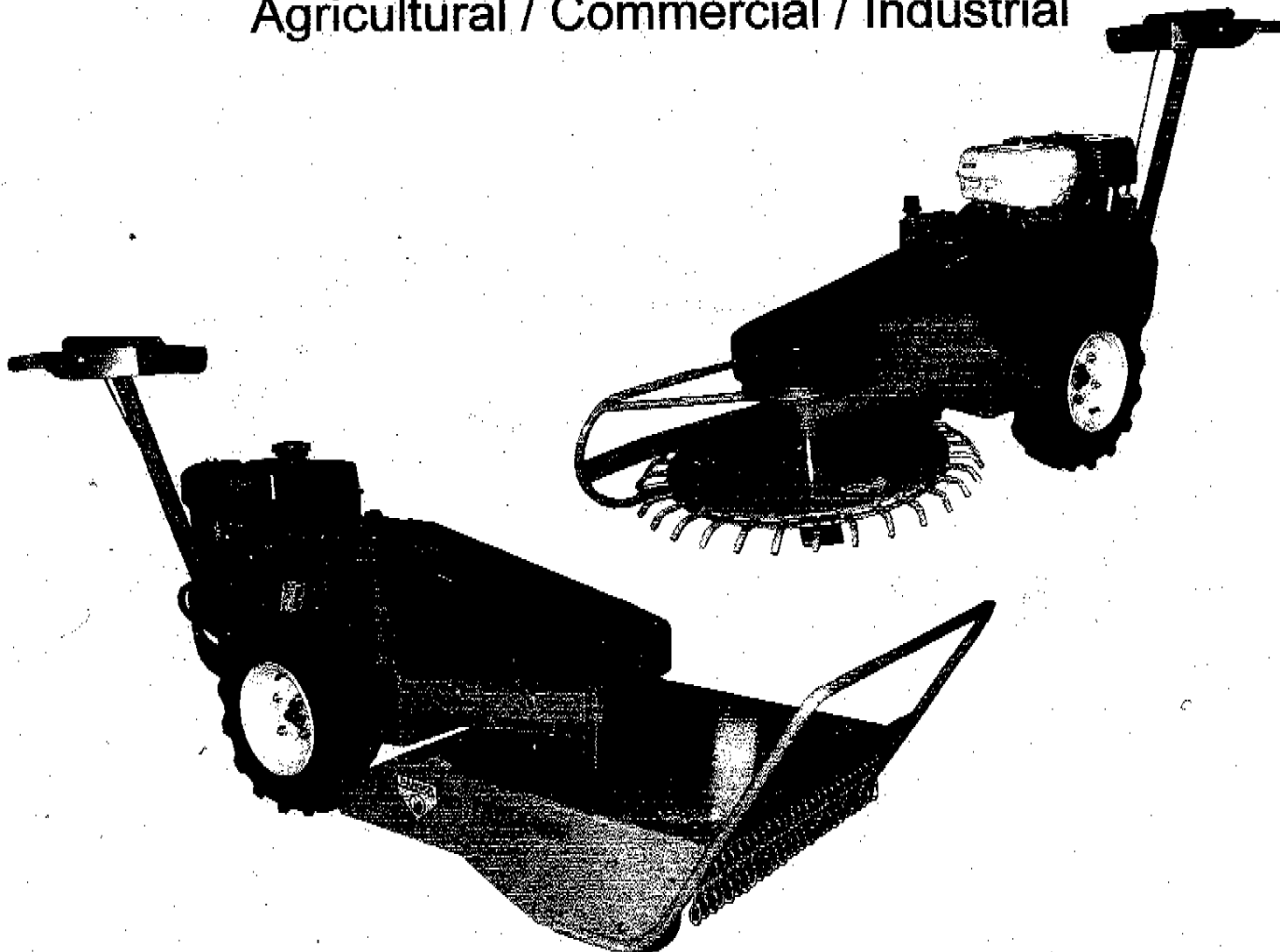
Power Dog™

Parts Breakdown

PD926SRB - PD926SRW

PD926HRB - PD926HRW

Agricultural / Commercial / Industrial

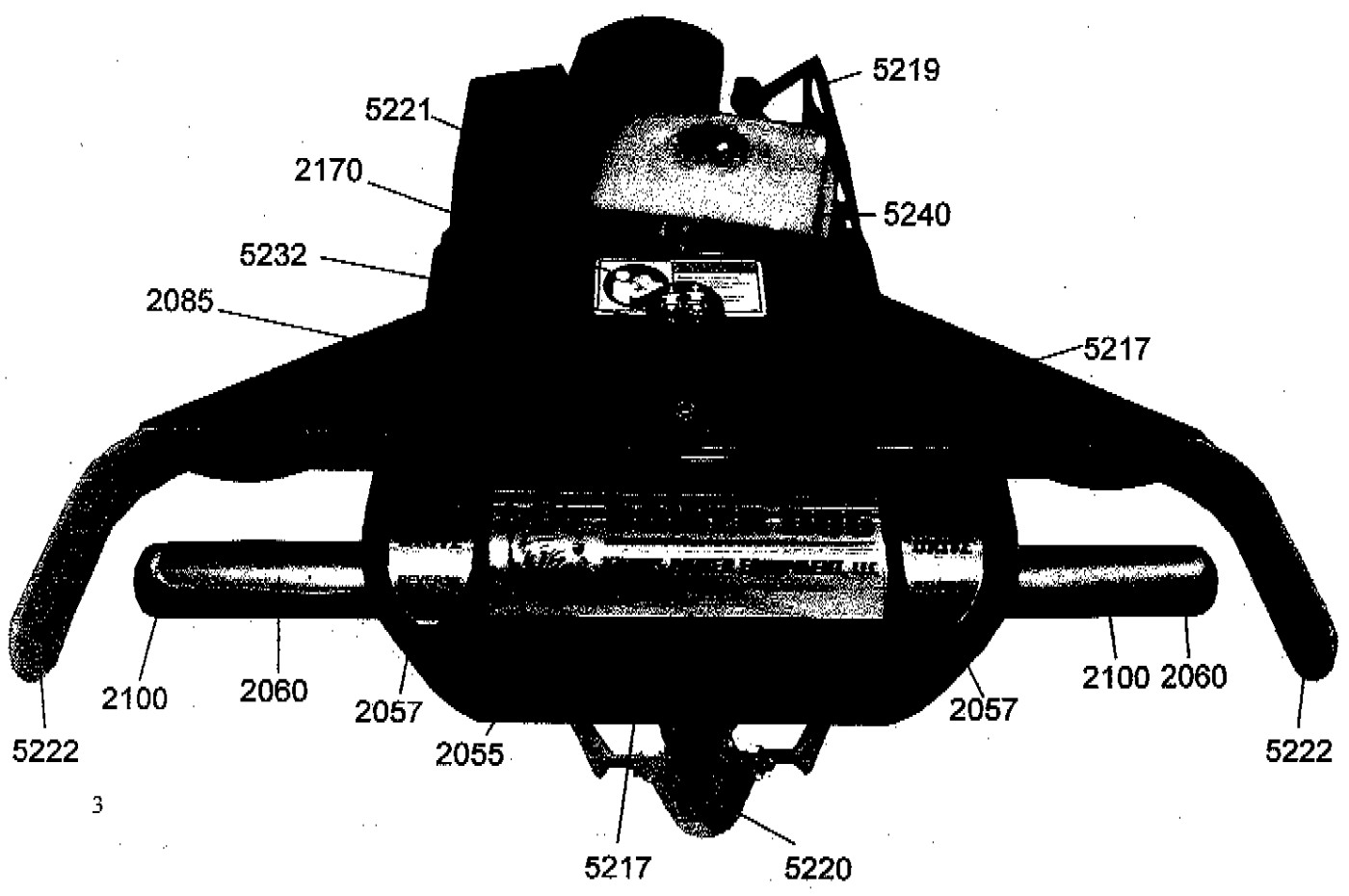
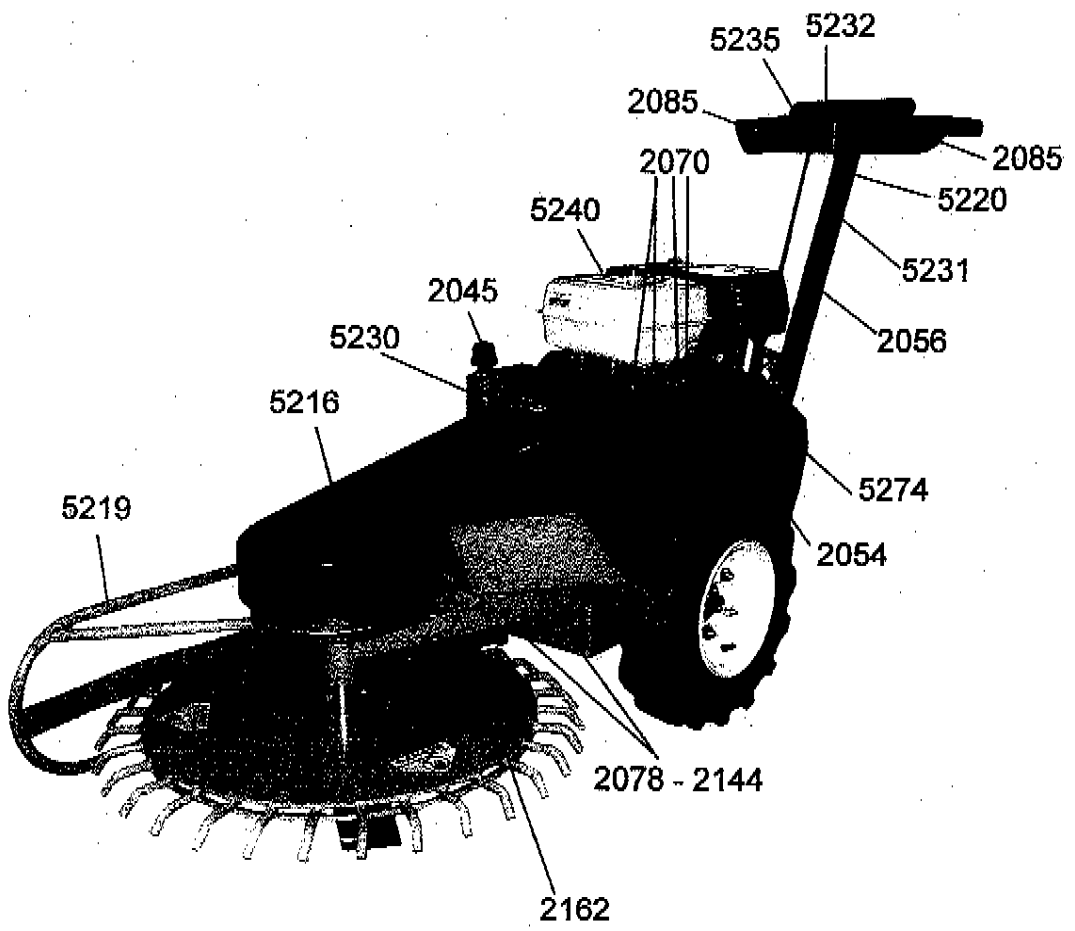


KUHNS POWER EQUIPMENT, LLC

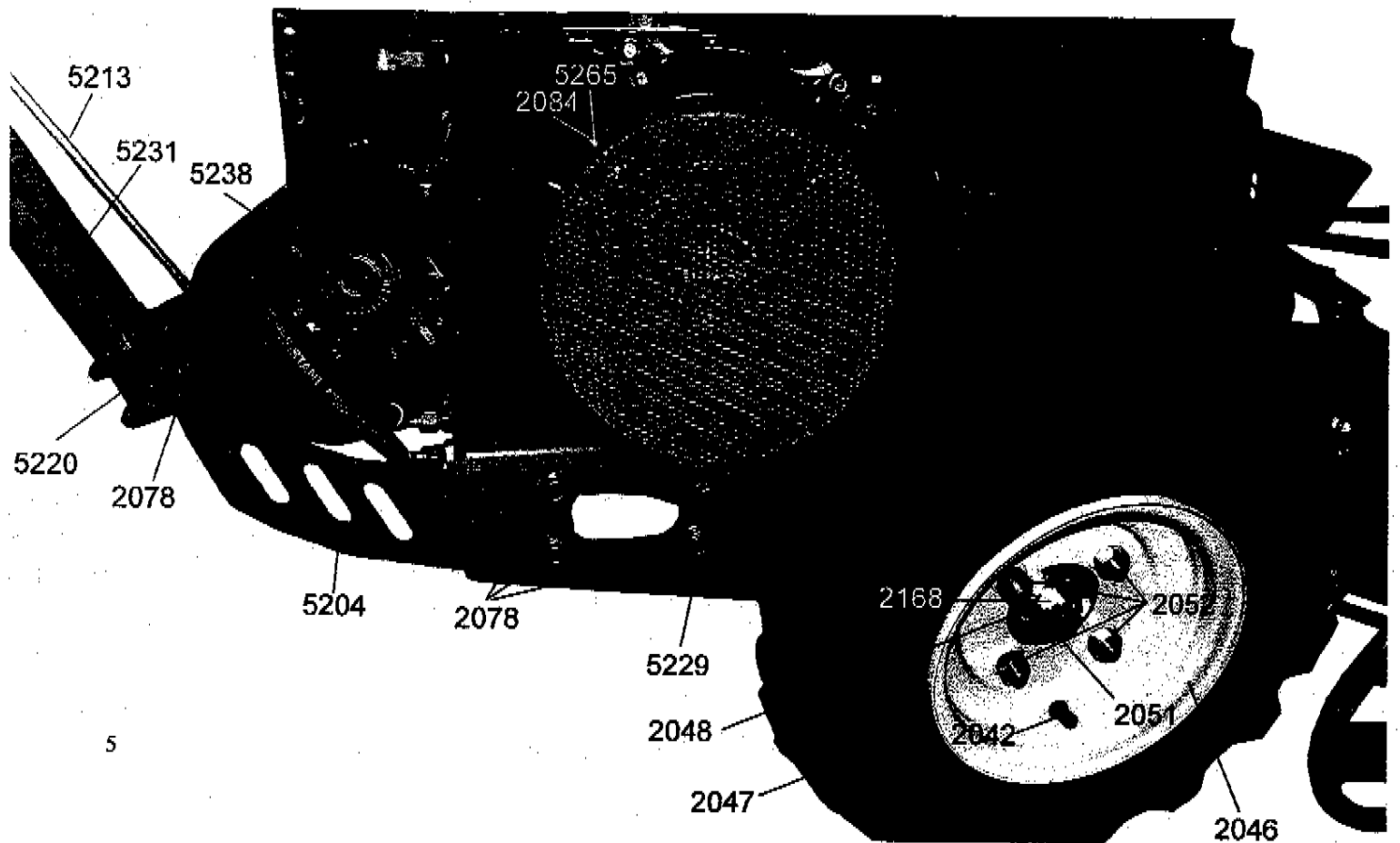
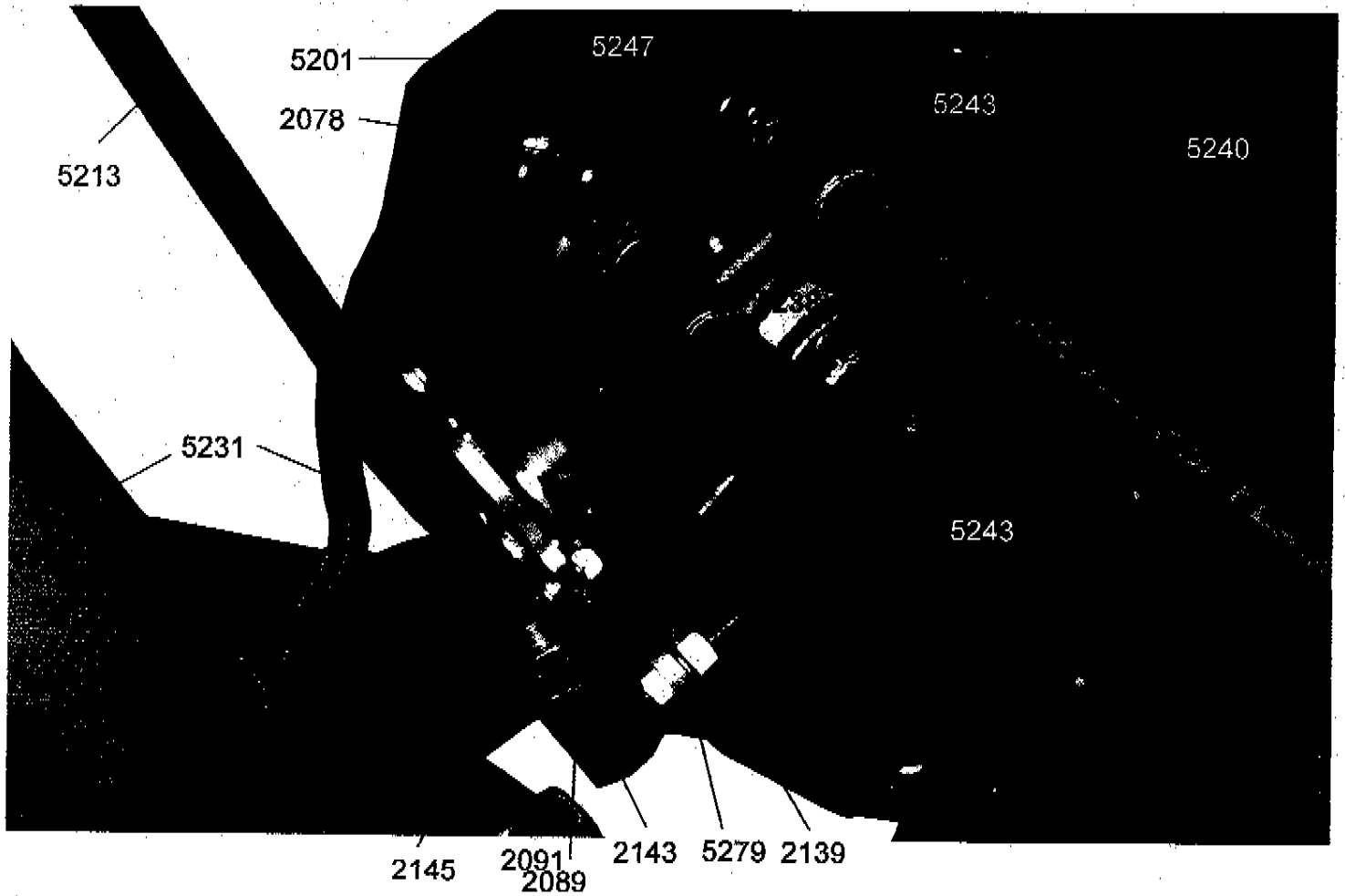
10101 Shively Road, (C.R. 46) - Nappanee, IN 46550

Ph. 574-862-4592 / 1-866-505-8085

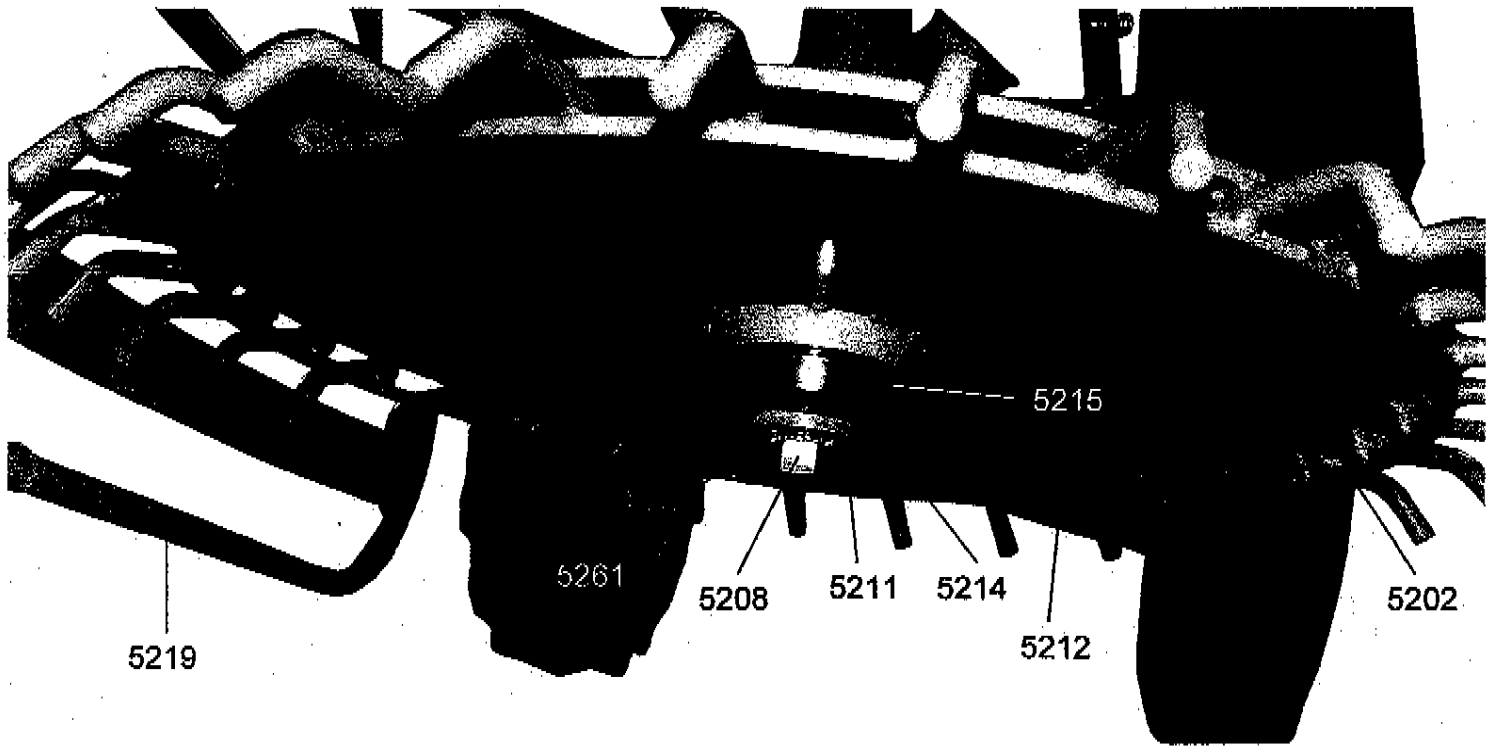
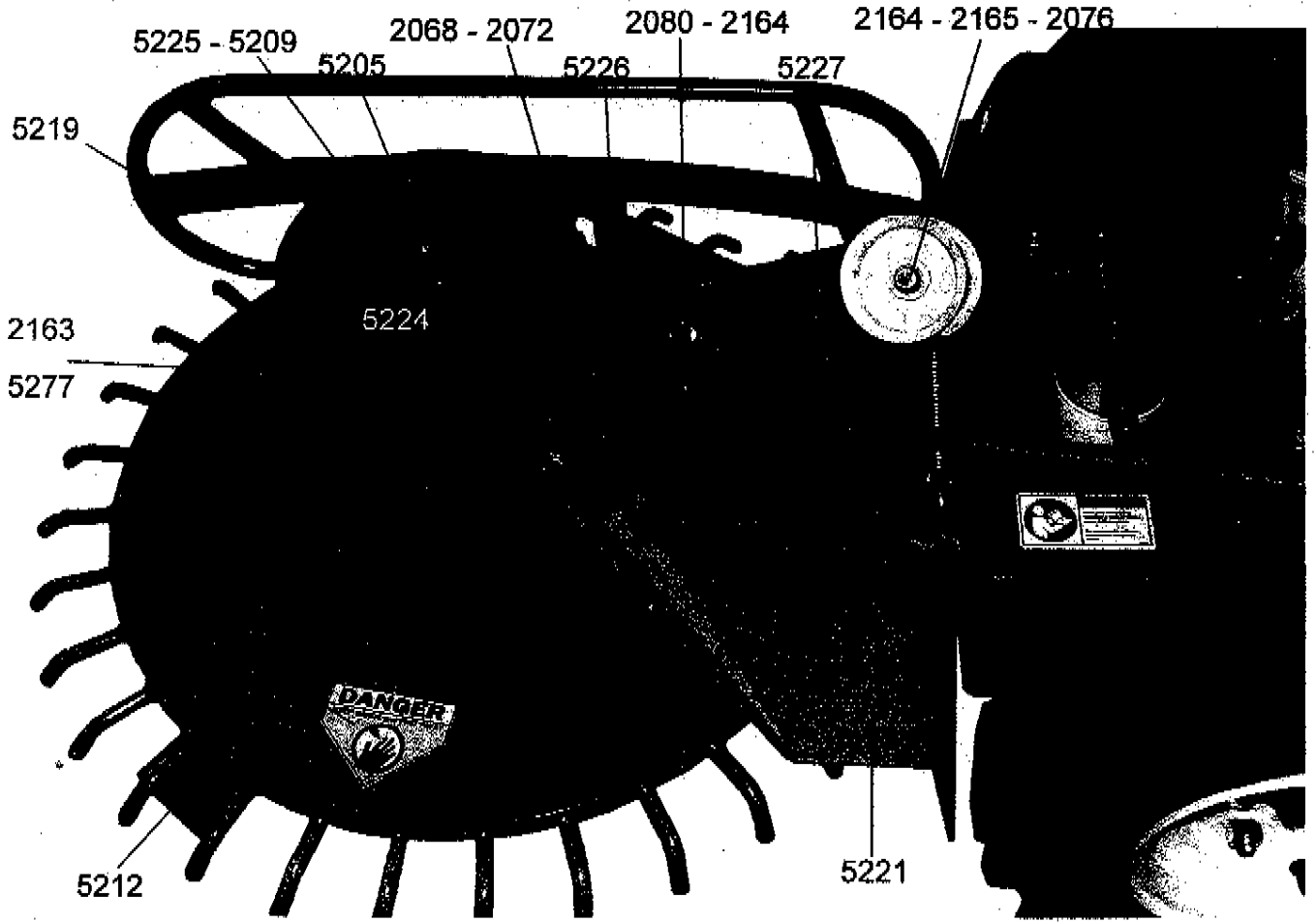
<u>PART #</u>	<u>DESCRIPTION</u>
KP2045	cap, tank
KP2054	decals, round logo
KP2055	decals, info
KP2056	decals, power dog
KP2057	decals, forward - reverse
KP2060	paddle, safety
KP2070	bolt, 1/4 x 1/2" fl
KP2078	bolt, 3/8 x 1" fl
KP2085	self taper, #12 x 3/4"
KP2100	grip, 7/8"
KP2144	nut, 3/8 fl
KP2162	bolt, 1/4 x 3/4" fl
KP2170	label, manual-warning
KP5202	deck, revolving
KP5216	guard, deck belt
KP5217	control panel
KP5219	runner, deck
KP5220	handle
KP5221	shield, debris deck
KP5222	frame, control panel
KP5230	tank, reservoir
KP5231	wire harness
KP5232	switch, engagement
KP5235	decals, 926
KP5240	engine
KP5274	guard, pump belt



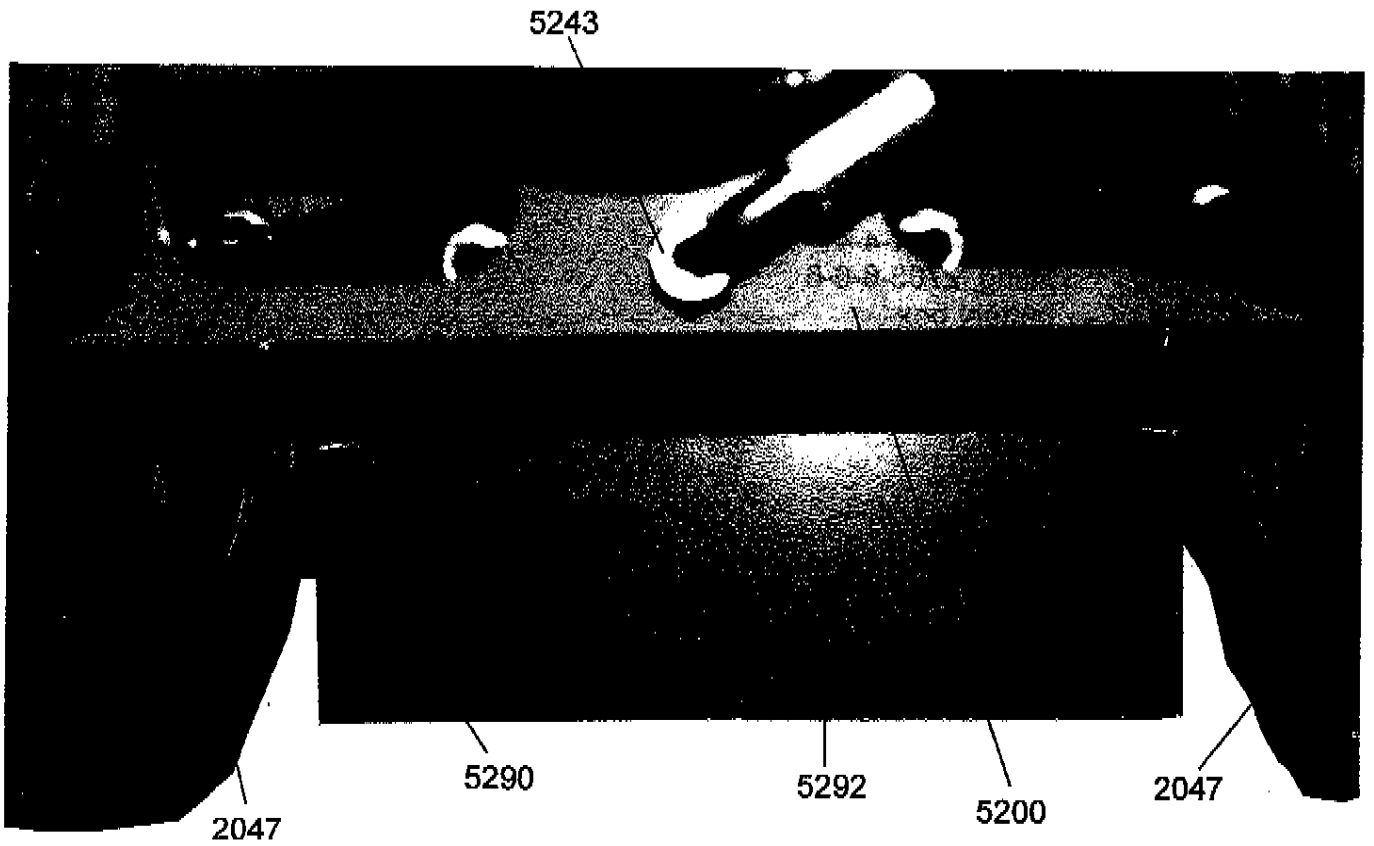
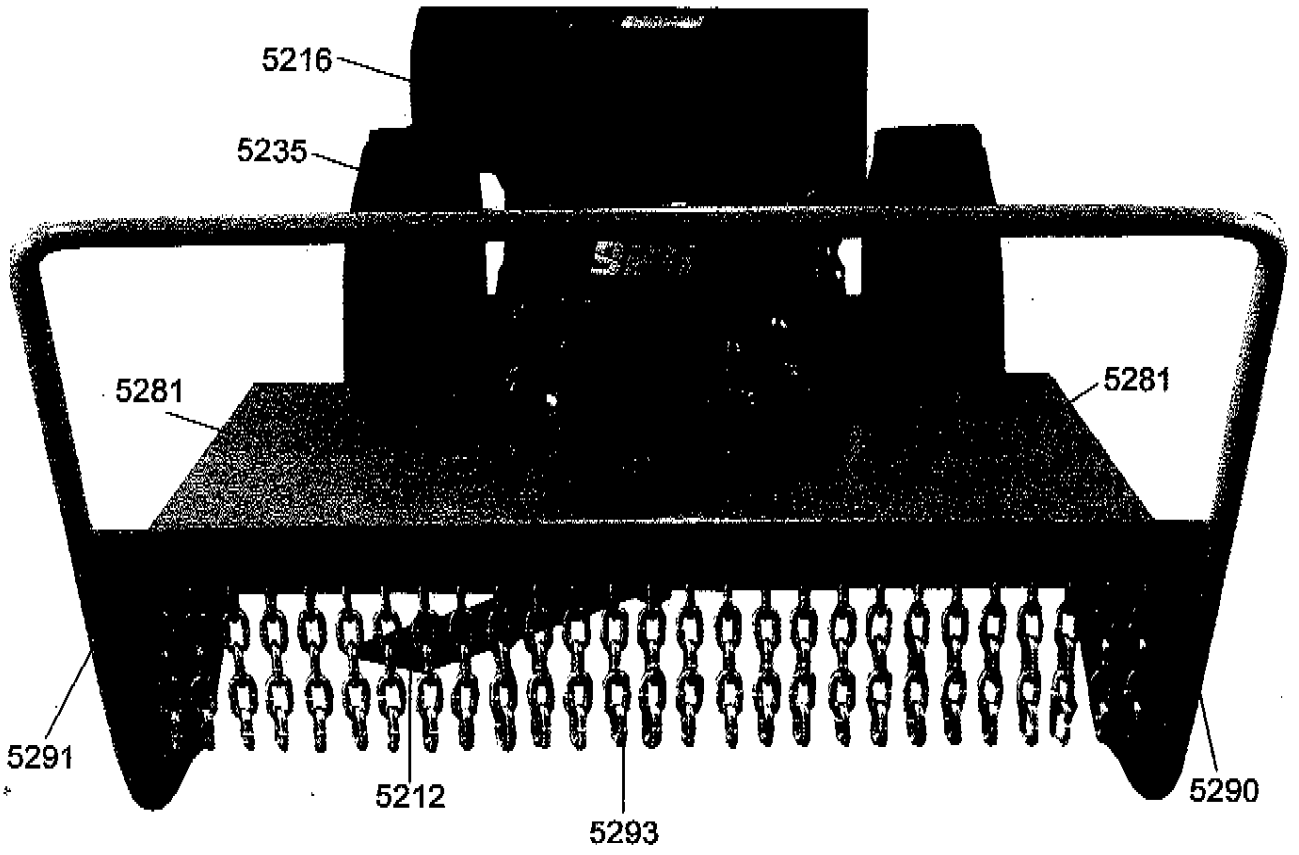
<u>PART #</u>	<u>DESCRIPTION</u>
KP2042	valve stem
KP2046	rim, 8 x 3.75
KP2047	tire, 480 x 8 4 ply
KP2048	hub
KP2051	cotter pins
KP2052	nut, 1/2" lug
KP2078	bolt, 3/8 x 1" fl
KP2084	self taper, #6 x 3/4"
KP2089	nut, 5/16 fl
KP2091	bolt, 5/16 x 3/4" fl
KP2139	nut, 3/8 - 24 fl
KP2143	balljoint, 3/8 - 24
KP2145	nut, 3/8 - 24 jam
KP2168	nut, wheel
KP5201	bracket, pump mount
KP5204	bracket, bottom handle
KP5213	control rod
KP5220	handle
KP5229	shield, recoil
KP5230	tank, reservoir
KP5231	wire harness
KP5238	pump, hydro
KP5240	engine
KP5243	hose, 3/8 x 19"
KP5247	fitting, 6801-6-6
KP5265	bracket, angle recoil
KP5279	neutral control bracket



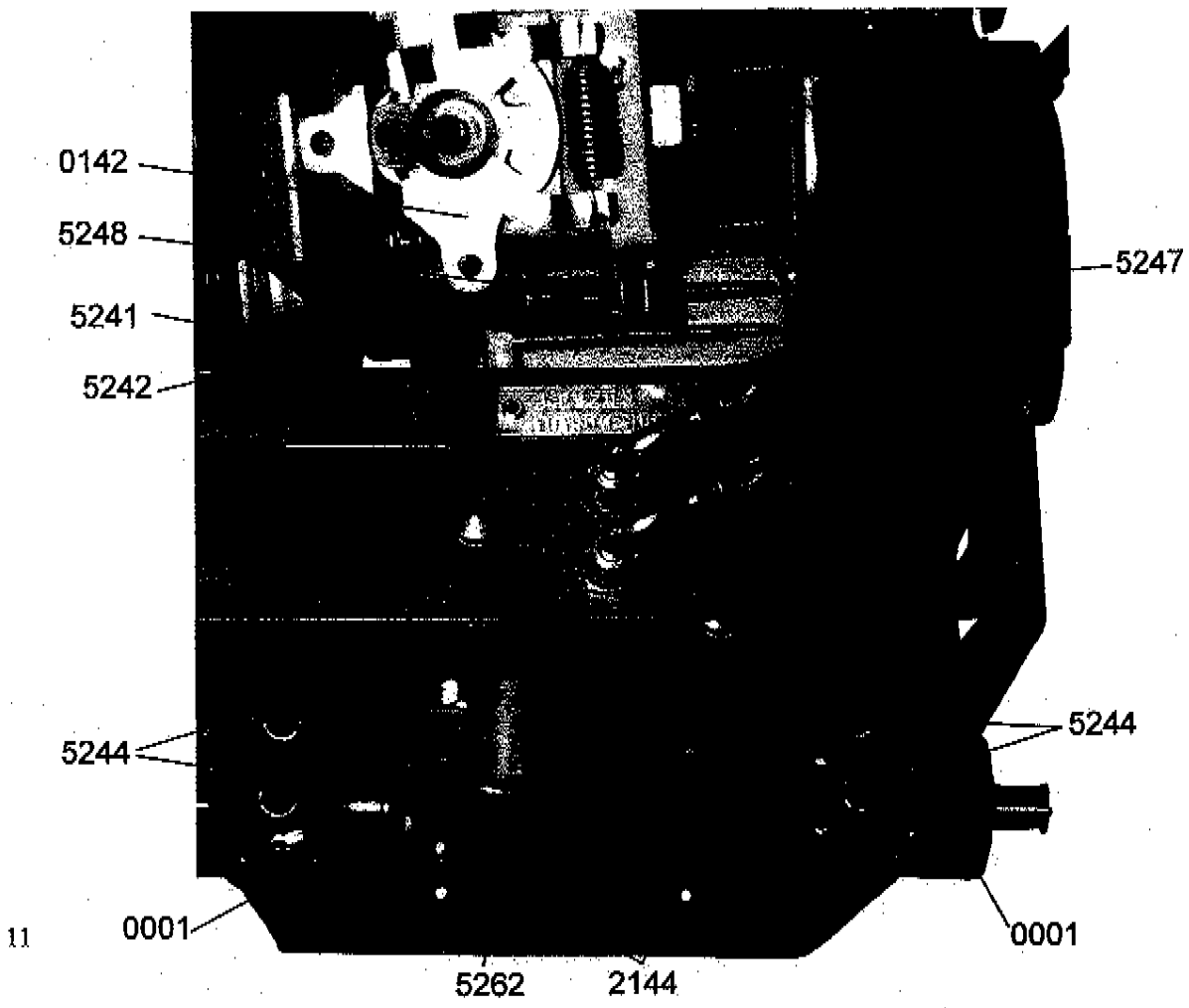
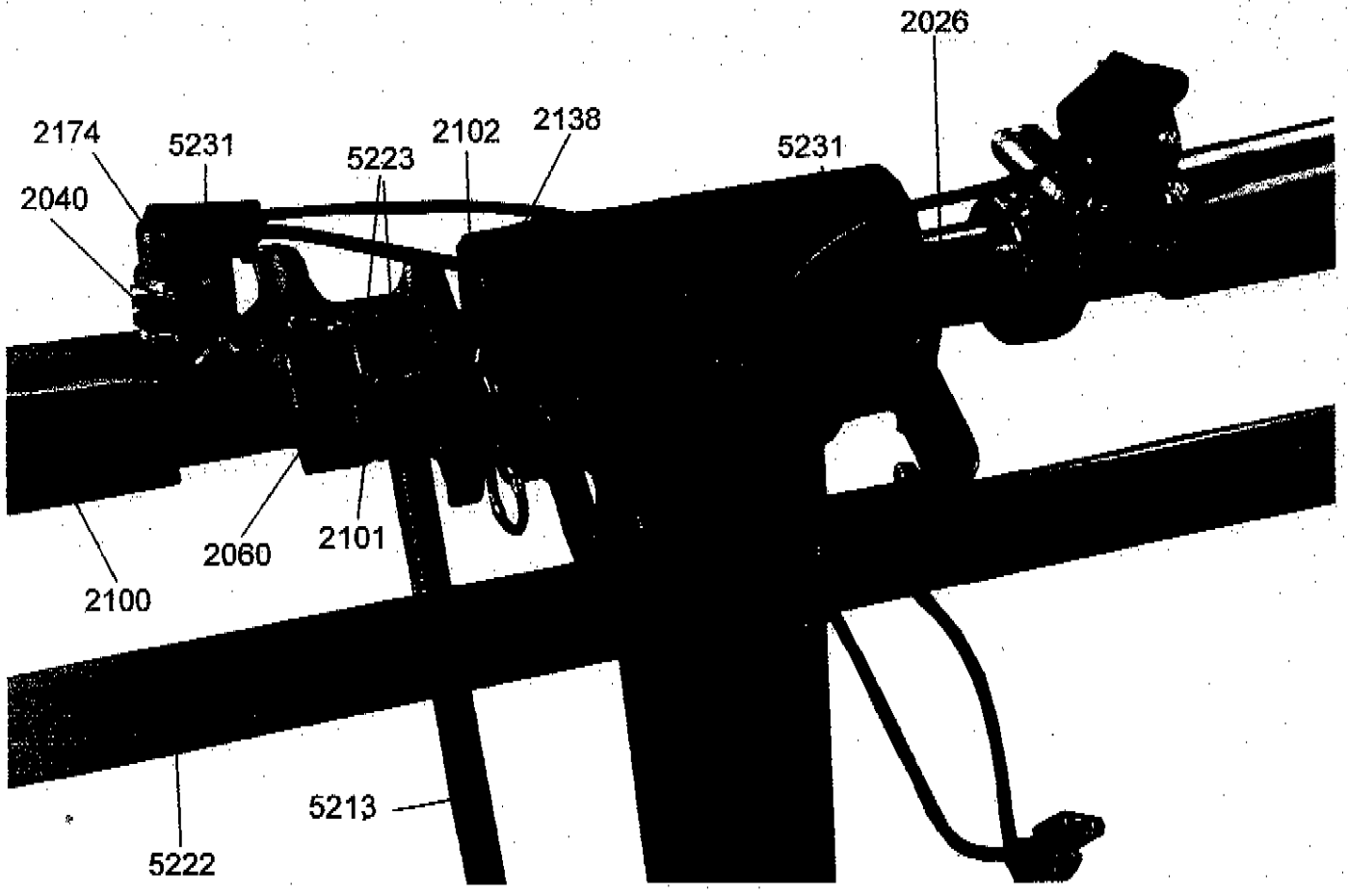
<u>PART #</u>	<u>DESCRIPTION</u>
KP2068	nut, 1/4 - 20 fl
KP2070	bolt, 1/4 x 1/2" fl
KP2072	bolt, 1/4 x 3/4" fl
KP2076	nut, 3/8 - 16 nylock
KP2078	bolt, 3/8 x 1" fl
KP2080	bolt, 3/8 x 1-1/4" fl
KP2093	nut, 1/2 - 13 fl
KP2144	nut, 3/8 - 16 fl
KP2161	decals, danger
KP2163	bolt, 1/2 x 2-1/2" fl
KP2164	washer, 3/8 flat
KP2165	bolt, 3/8 x 2-3/4" hhcs
KP5202	deck, revolving
KP5203	mount, triangle spindle
KP5205	spindle
KP5208	nut, 3/4 left hand
* KP5209	nut, 5/8 left hand
KP5211	lower chuck, blade
KP5212	blade, 26" weed left hand
KP5214	collar, head
KP5215	bearing, deck
KP5219	runner, deck
KP5221	shield, debris deck
KP5224	pulley, 8"
KP5225	key, 3/16"
KP5226	bracket, front U
KP5227	arm, idler
KP5228	pulley, idler
KP5230	tank, reservoir
KP5233	spring, idler
KP5234	eyebolt 1/4 - 20 x 1"
KP5237	belt, deck
KP5261	washer, star 3/4"
KP5277	weight, radius



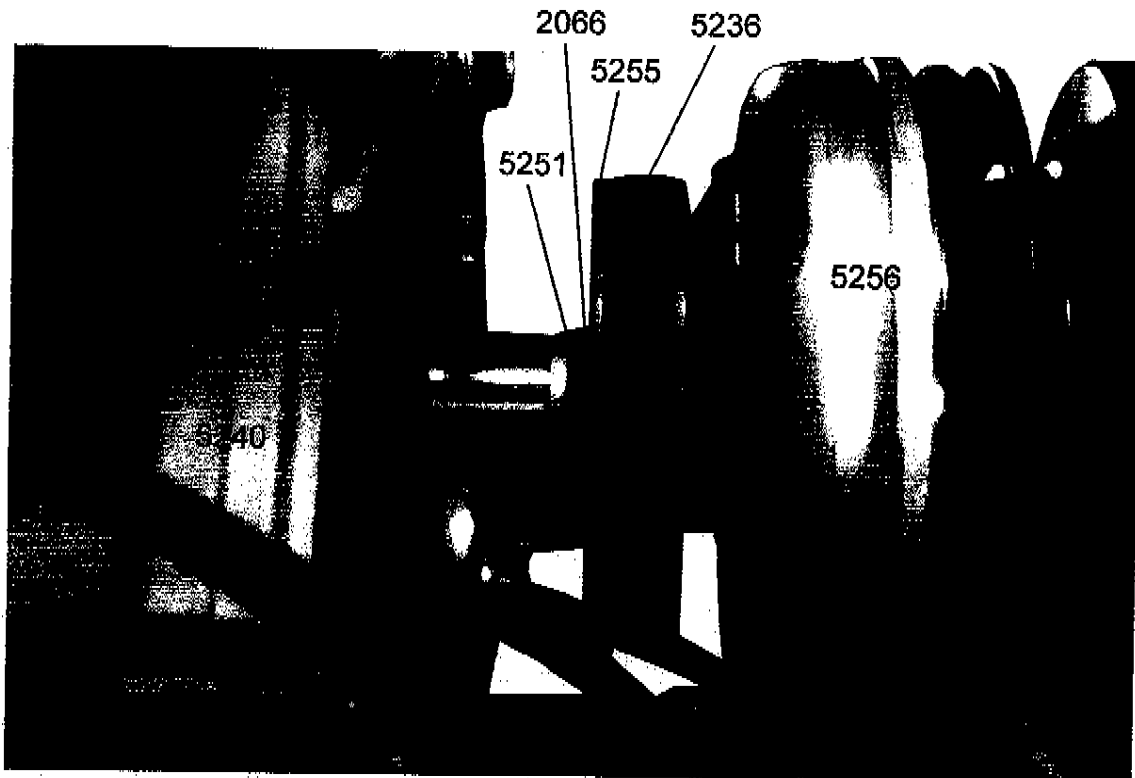
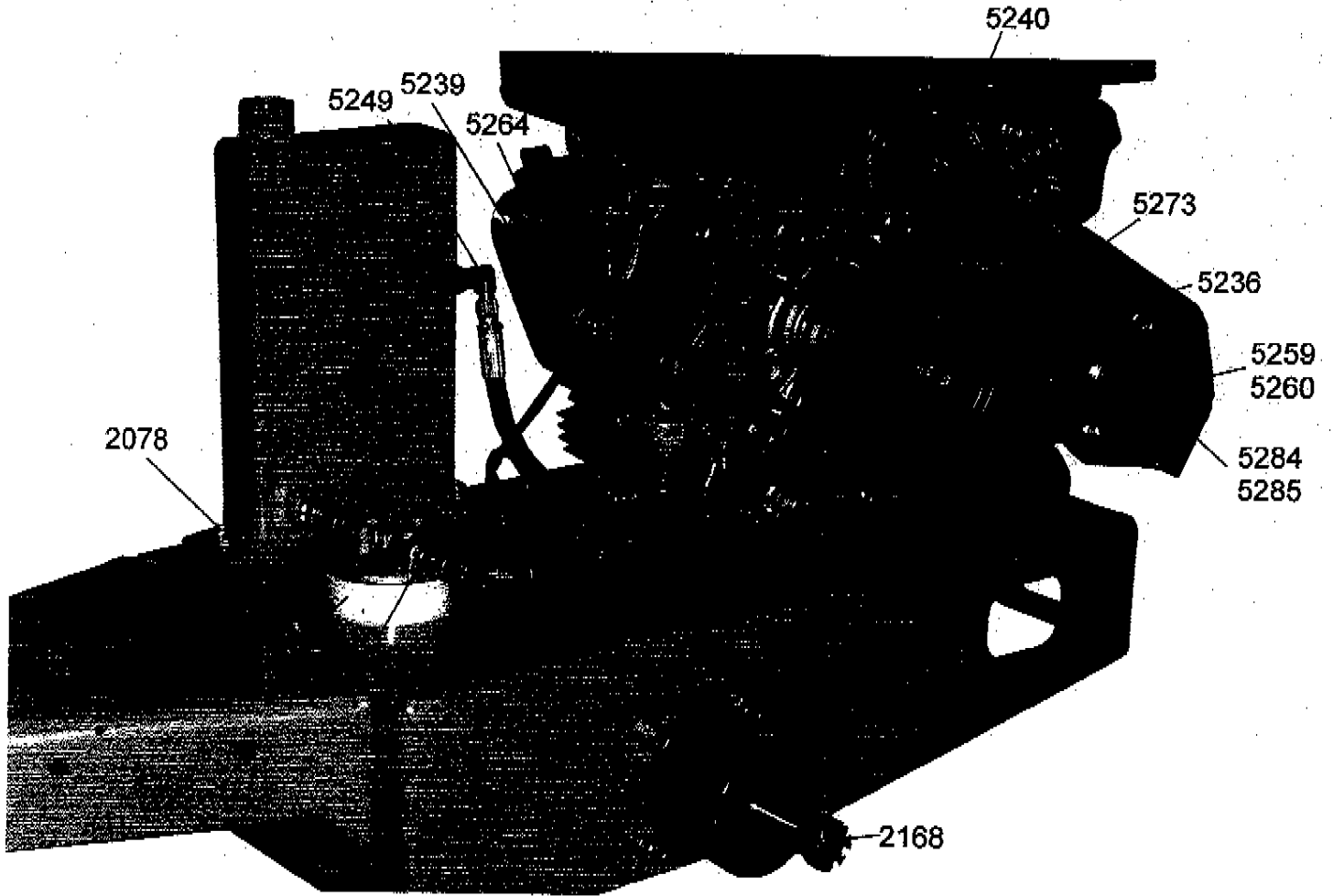
<u>PART #</u>	<u>DESCRIPTION</u>
KP2047	tire, 480 x 8 7ply
KP2054	decals, round logo
KP2078	bolt, 3/8 x 1" fl
KP2144	nut, 3/8 fl
KP5200	main frame
KP5212	blade, 26" weed left hand
KP5216	guard, deck belt
KP5235	decals, 926
KP5243	hose, 3/8 x 19"
KP5281	deck, enclosed
KP5282	angle, deck mount (right)
KP5283	angle, deck mount (left)
KP5290	cotter pin 3/32 x 1"
KP5291	rod, 1/4" chain
KP5292	flap, debris
KP5293	chain



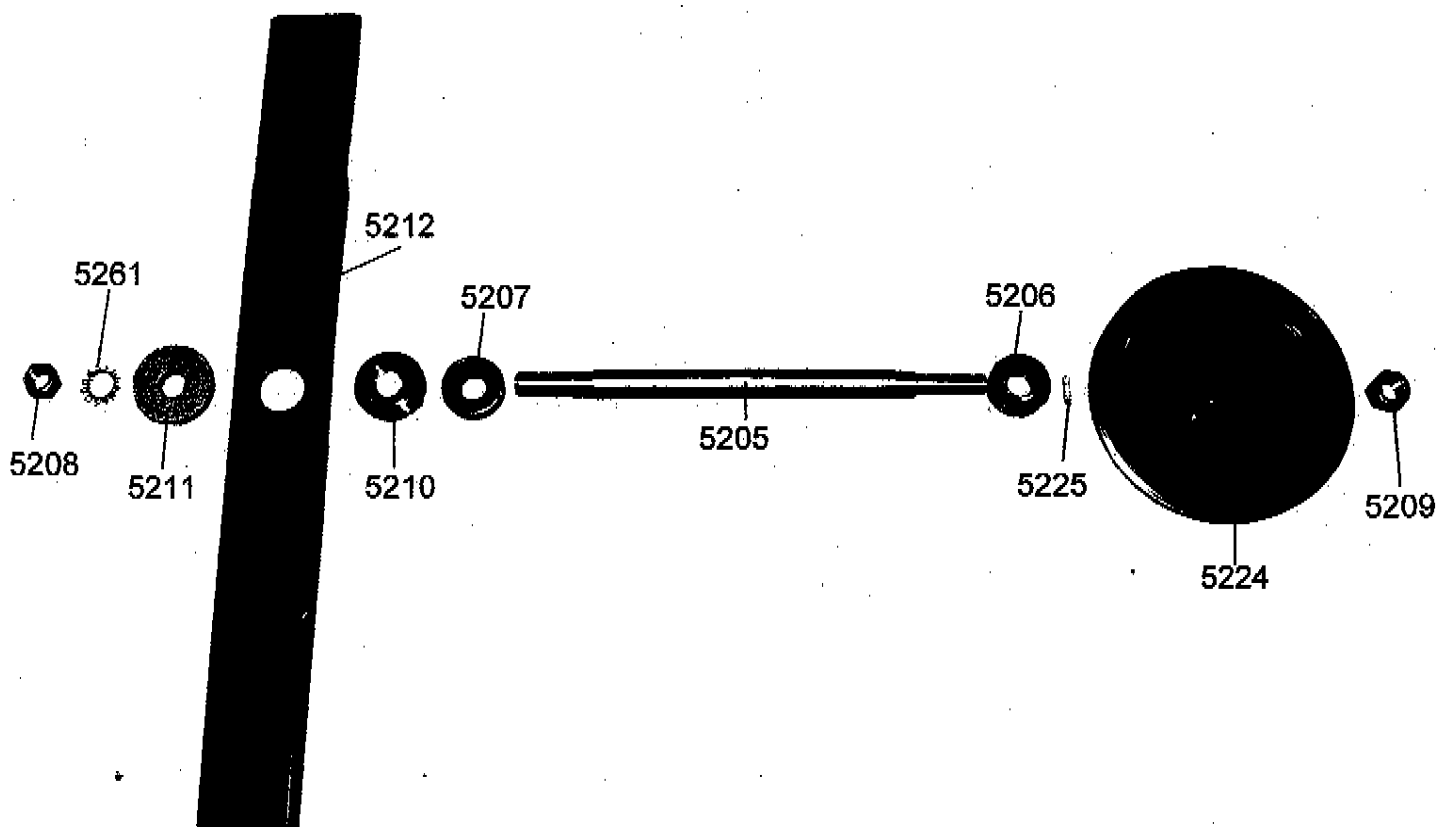
<u>PART #</u>	<u>DESCRIPTION</u>
KP0001	wheel motor
KP2005	tag, alum.
KP2026	handle bar
KP2040	switches, white
KP2060	paddle, safety
KP2072	bolt, 1/4 x 3/4" fl
KP2084	self taper, #6 x 3/4"
KP2100	grip, 7/8"
KP2101	block, swivel 3/8 - 16
KP2102	bridge pin #3
KP2119	fitting, 6400-6-10
KP2138	bearing, handle bar
KP0142	return to neutral
KP2144	nut, 3/8 - 16 fl
KP2174	screw, 4 x 1/4
KP5213	control rod
KP5220	handle
KP5222	frame, control panel
KP5223	drive collar
KP5231	wire harness
KP5241	hose, 3/8 x 23-3/4"
KP5242	hose, 1/4 x 27"
KP5243	hose, 3/8 x 19"
KP5244	hose, 3/8 x 13-1/2"
KP5247	fitting, 6801-6-6
KP5248	fitting, 6801-4-4
KP5250	fitting, 2703-6-6-6
KP5253	battery box
KP5262	foam pad



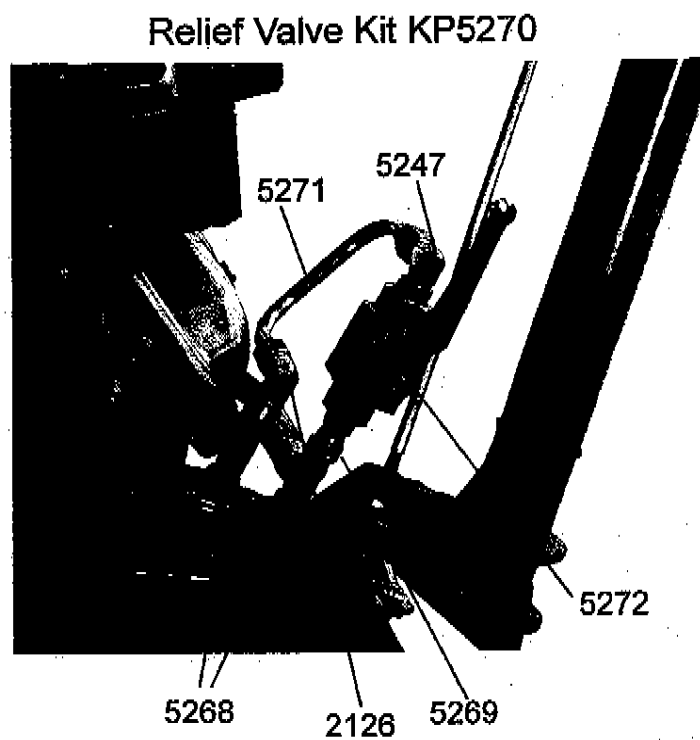
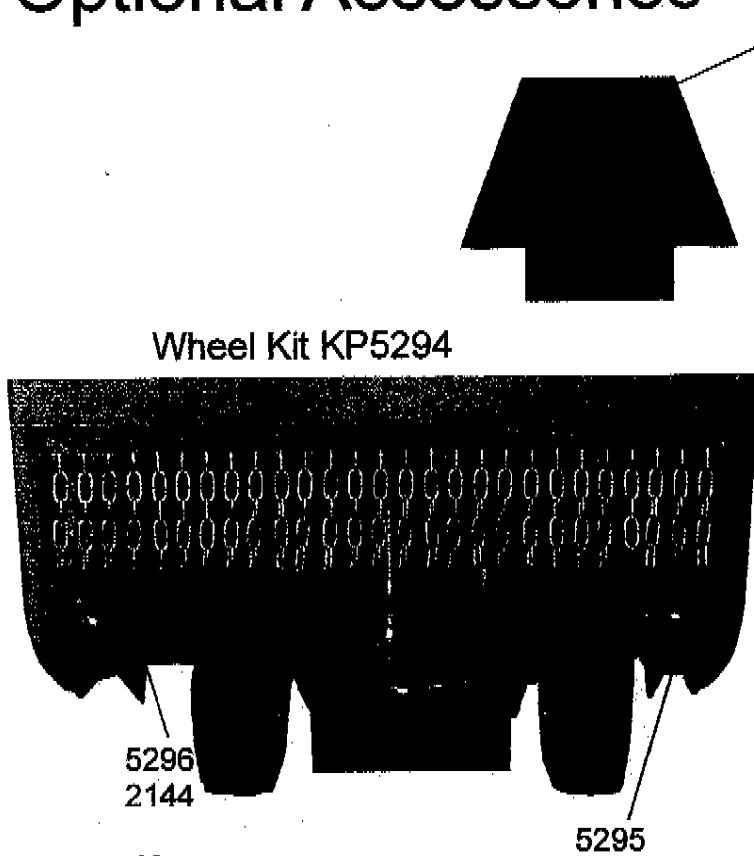
<u>PART #</u>	<u>DESCRIPTION</u>
KP0001	wheel motor
KP2017	head, filter
KP2018	filter
KP2066	key, 1/4"
KP2072	bolt, 1/4 x 3/4" fl
KP2078	bolt, 3/8 x 1" fl
KP2118	fitting, 6400-6-6
KP2126	fitting, 6500-6-6
KP2168	nut, wheel
KP5200	main frame
KP5203	mount, triangle spindle
KP5230	tank, reservoir
KP5236	belt, pump
KP5239	regulator, voltage
KP5240	engine
KP5241	hose, suction 3/8 x 23-3/4"
KP5242	hose, return 1/4 x 27"
KP5245	fitting, 6505-8-8
KP5246	fitting, 6400-8-6
KP5249	fitting, 2501-4-4
KP5251	spacer, clutch
KP5254	hold down, battery
KP5255	pulley, 3-1/2 x 1"
KP5256	clutch
KP5257	bolt, 7/16 -20 x 2" hhcs
KP5258	washer, 7/16 lock
KP5259	pulley, 3-1/2 x 5/8"
KP5260	key, 1/8"
KP5263	battery
KP5264	bolt, M 6-10 x 25 fl
KP5273	bracket, pump mount
KP5284	bolt, 10 - 32 x 1
KP5285	washer, 3/16 - 1



<u>PART #</u>	<u>DESCRIPTION</u>
KP5205	spindle
KP5206	bearing, top
KP5207	bearing, bottom
KP5208	nut, 3/4 left hand
KP5209	nut, 5/8 left hand
KP5210	upper chuck, blade
KP5211	lower chuck, blade
KP5212	blade, 26" weed, left hand
KP5224	pulley 8"
KP5225	key, 3/16"
KP5252	weight
KP5261	washer, star 3/4"
KP2037	oil, cheveron delo 400
KP2038	oil, sae 10w/30
KP2126	fitting, 6500-6-6
KP5247	fitting, 6801-6-6
KP5270	relief valve kit
KP5268	fitting, 6804-6-6-6 tee
KP5269	fitting, 6402-6-6
KP5271	connecting tube
KP5272	ball valve
KP2144	nut, 3/8 fl
KP5294	wheel kit
KP5295	wheel
KP5296	bolt, 3/8 shoulder



Optional Accessories



Power Dog™ WARRANTY STATEMENT

SECTION 1: LIMITED WARRANTY

Kuhn's Power Equipment, LLC, warrants Power Dog product to the original purchaser to be free from defects in material and workmanship from the date of purchase for the "Warranty Period" of the product as set forth below:

Batteries: 1 year prorated limited warranty with 100% replacement during the first 6 months.

Power Dog Safety Apparel carries a 6 month warranty from the date of the customer's original purchase for defects in material and workmanship. Normal wear, tear or abuse is not covered under warranty. Product must be returned to Nappa-nee with a warranty claim form. All care and maintenance instructions must be followed as stated by the manufacturer on the care label.

SECTION 2: KUHNS POWER EQUIPMENT LLC OBLIGATIONS UNDER THE WARRANTY

Kuhn's Power Equipment will repair or replace defective components without charge for parts or labor if a component fails because of a defect in material or workmanship during the warranty period.

SECTION 3: ITEMS NOT COVERED BY THIS WARRANTY

- The following items are not covered by this warranty:
- (1) Normal customer maintenance items which become worn through normal regular use, including, but not limited to, belts, blades, blade adapters, bulbs, clutches, clutch drums, filters, guide bars, lubricants, rewind springs, spark plugs, starter ropes and tines;
 - (2) Natural discoloration of material due to ultraviolet light;
 - (3) Engine and drive systems not manufactured by Kuhns Power Equipment LLC; these items are covered by the respective manufacturer's warranty as provided in writing with the product information supplied at the time of purchase; all claims must be sent to the appropriate manufacturer;
 - (4) Lawn and garden attachments are covered by a third party which gives a warranty; all claims for warranty should be sent to the manufacturer;
 - (5) Emission Control System components necessary to comply with CARB-TIER II and EPA regulations which are manufactured by third party engine manufacturer.

SECTION 4: EXCEPTIONS AND LIMITATIONS

- This warranty shall be inapplicable to defects resulting from the following:
- (1) Accident, abuse, misuse, negligence, and neglect, including stale fuel, dirt, abrasives, moisture, rust, corrosion, or any adverse reaction due to incorrect storage or use habits;
 - (2) Failure to operate or maintain the unit in accordance with the Owner's/Operator's manual or instruction sheet furnished by Kuhns Power Equipment LLC;

- (3) Alterations or modifications that change the intended use of the product or affects the product's performance, operation, safety, or durability, or causes the product to fail to comply with any applicable laws; or
- (4) Additional damage to parts or components due to continued use occurring after any of the above.

REPAIR OR REPLACEMENT AS PROVIDED UNDER THIS WARRANTY IS THE EXCLUSIVE REMEDY OF THE PURCHASER. KUHNS POWER EQUIPMENT LLC SHALL NOT BE LIABLE FOR ANY INCIDENTAL OR CONSEQUENTIAL DAMAGES FOR BREACH OF ANY EXPRESS OR IMPLIED WARRANTY ON THESE PRODUCTS EXCEPT TO THE EXTENT PROHIBITED BY APPLICABLE LAW. ANY IMPLIED WARRANTY OF MERCHANTABILITY OR FITNESS FOR A PARTICULAR PURPOSE ON THESE PRODUCTS IS LIMITED IN DURATION TO THE WARRANTY PERIOD AS DEFINED IN THE LIMITED WARRANTY STATEMENT. KUHNS POWER EQUIPMENT LLC RESERVES THE RIGHT TO CHANGE OR IMPROVE THE DESIGN OF THE PRODUCT WITHOUT NOTICE, AND DOES NOT ASSUME OBLIGATION TO UPDATE PREVIOUSLY MANUFACTURED PRODUCTS.

Some states do not allow the exclusion of incidental or consequential damages, or limitations on how long an implied warranty lasts, so the above limitations or exclusions may not apply to you. This warranty gives you specific legal rights, and you may also have other rights which vary from state to state.

SECTION 5: CUSTOMER RESPONSIBILITIES

The product must exhibit reasonable care, maintenance, operation, storage and general upkeep as written in the maintenance section of the Owner's/Operator's manual. Should an operational problem or failure occur, the product should not be used, but delivered as is to an authorized Power Dog retailer for evaluation. Proof of purchase, as explained in section 6, rests solely with the customer.

SECTION 6: PROCEDURE TO OBTAIN WARRANTY CONSIDERATION

It is the Owner's and Retailer's responsibility to make certain that the Warranty Registration Card is properly filled out and mailed to Kuhns Power Equipment LLC. This card should be mailed within ten (10) days from the date of purchase in order to confirm the warranty and to facilitate post-sales service.

Proof of purchase must be presented to the authorized Power Dog retailer in order to obtain warranty service. This proof must include date purchased, model number, serial number, and complete name and address of the selling retailer.

To obtain the benefit of this warranty, the product believed to be defective must be delivered to an authorized Power Dog retailer in a timely manner, no later than thirty (30) days from date of the operational problem or failure. The product must be delivered at the owner's expense. Downtime, pick-up and delivery charges are not covered by this warranty.